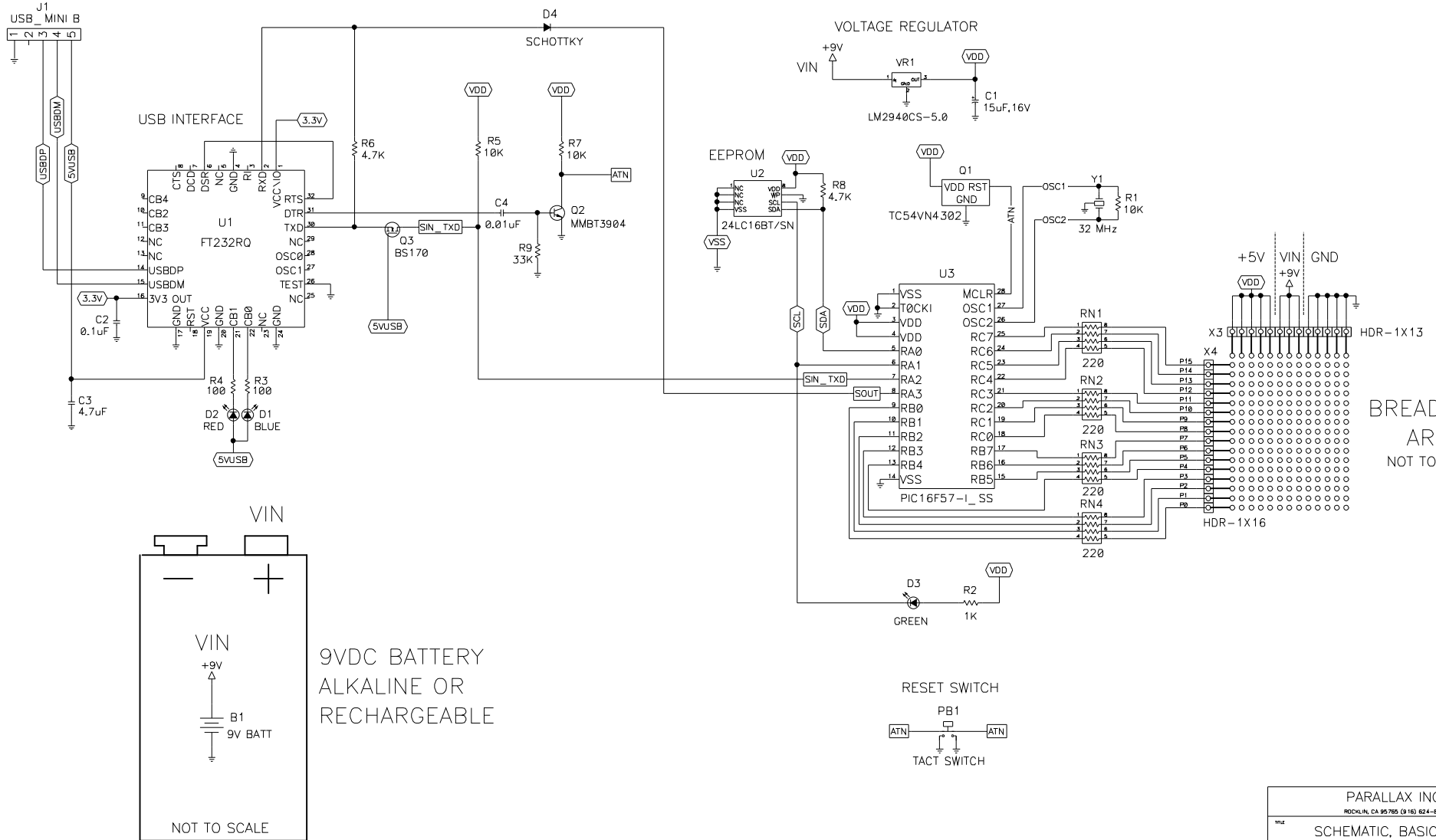


THE INFORMATION CONTAINED IN THIS DOCUMENT IS PROPRIETARY.
ANY REPRODUCTION IN WHOLE OR IN PART IS PROHIBITED.

REV	DP	DATE
A	TB	11/03/22

- NOTES: UNLESS OTHERWISE SPECIFIED
 1. ALL CAPACITOR VALUES ARE IN MICROFARADS.
 2. ALL RESISTOR VALUES ARE IN OHMS.

BASIC Stamp HomeWork Board USB



BREADBOARD
AREA
NOT TO SCALE

9VDC BATTERY
ALKALINE OR
RECHARGEABLE

NOT TO SCALE

PARALLAX INC. ROCKWELL, CA 95765 (916) 624-8333		
TITLE SCHEMATIC, BASIC STAMP HOMEWORK BOARD USB		
SIZE D	DWG NO 28188	REV A
SCALE NONE	SHEET 1 OF 1	