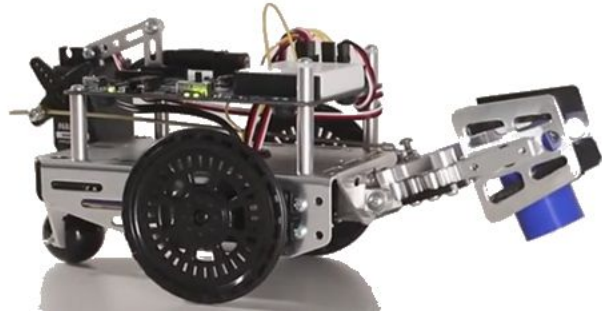


Gripper Kit v3.0 (#28203)

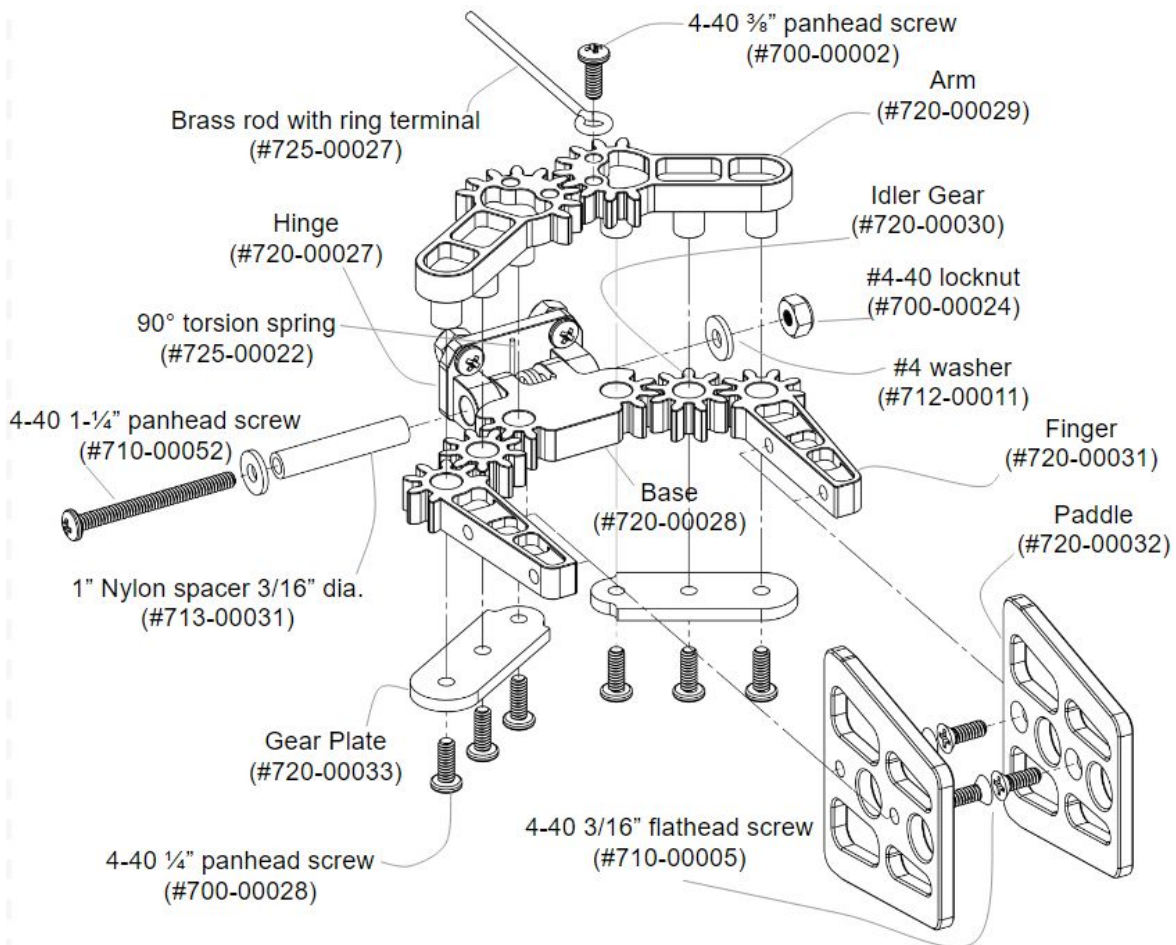
The Gripper 3.0 fits the following Parallax small robots:

- Boe-Bot (#28132, #28832, #81031)
- ActivityBot (#32500, #32600)
- cyber:bot (#32700)
- Shield-Bot (#32335, #81033)



Instructions:

- Check your kit for the parts in the Bill of Materials (next page) referring to the parts diagram below. If anything is missing, contact Parallax Sales or Tech Support.
- Gather your robot, its Parallax screwdriver, and right-angle wire cutters (not included).
- Follow the assembly and safety instructions at <https://learn.parallax.com/gripper>.



Bill of Materials

Part #	Quantity	Description
CNC machined aluminum parts		
#720-00027	1	Hinge
#720-00028	1	Base
#720-00029	2	Arms
#720-00030	2	Idler Gears
#720-00031	2	Fingers
#720-00032	2	Paddles
Laser-cut parts		
#720-00033	2	Gear Plate
Hardware		
#700-00002	9	4-40 3/8" panhead screws
#700-00003	1	4-40 nut (not labeled)
#700-00024	9	4-40 Nylon locknuts (not labeled)
#700-00028	6	4-40 1/4" panhead screws
#710-00005	4	4-40 3/16" flathead screws
#713-00052	1	4-40 1-1/4" panhead screw
#712-00011	2	#4 stainless steel washers
#713-00031	1	1" Nylon spacer 3/16" diameter
#720-00011	2	Universal "L" brackets (not pictured)
#720-00012	1	Universal straight bracket (not pictured)
#725-00022	1	Torsion spring, 90 degrees
#725-00027	1	Brass rod with ring terminal connector
#725-00007	1	Servo horn connector, brass (not pictured)
Miscellaneous		
#700-10003	1	3M Safety glasses (not pictured)
#700-10019	1	Super Lube white grease, small (not pictured)
#900-00005	1	Parallax Standard Servo (not pictured)
#900-00105	10"	Adhesive foam tape (not pictured)
#700-10025	1	Combination wrench (not pictured)

Revision History

Version 1.0: original release. Version 1.1: Replaced product picture; updated parts diagram; part # for adhesive foam tape corrected in table above.