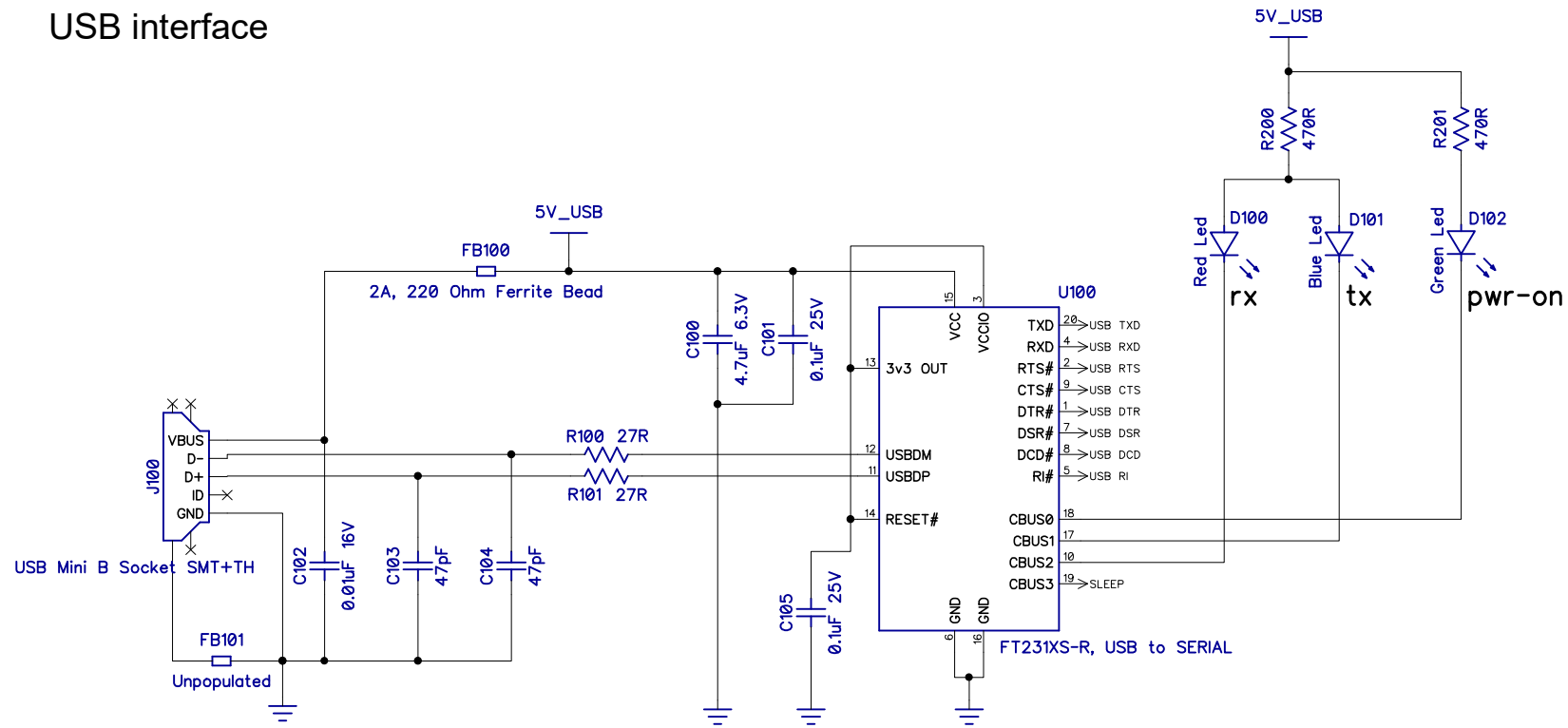


# USB interface



## FTDI tool settings:

CBUS0 = PWREN#

CBUS1 = RXLED#

CBUS2 = TXLED#

CBUS3 = SLEEP#

USB Config / Max Bus Power = 90mA

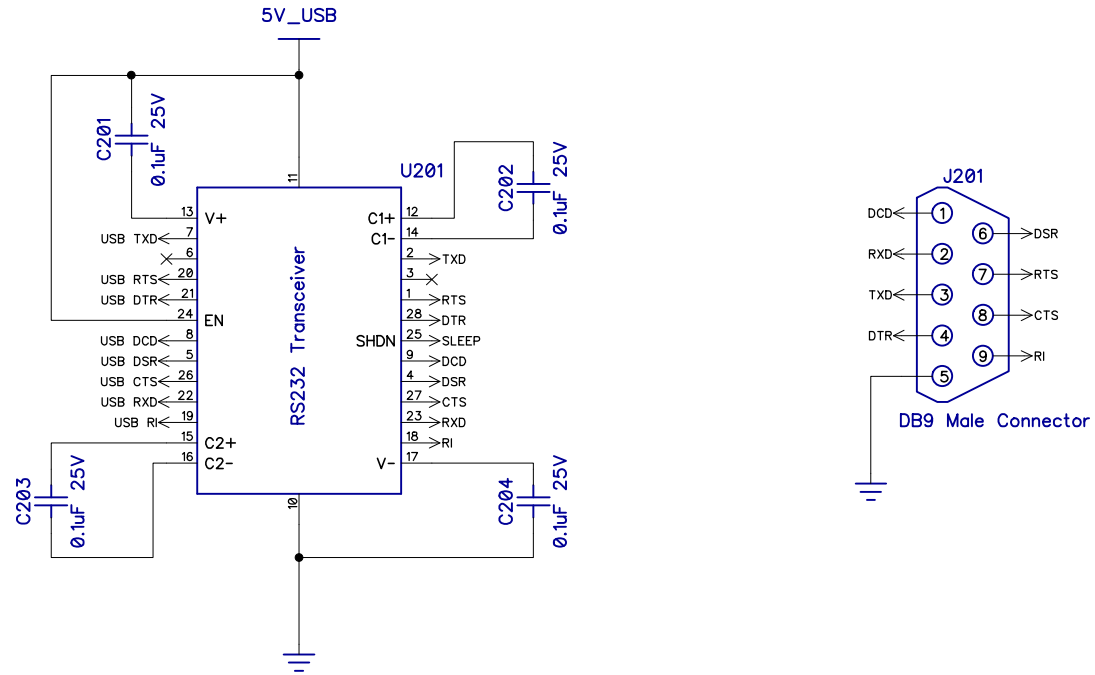
USB String / Manufacturer = Parallax Inc

USB String / Product = USB to 232

Note: CBUS1/2 are deliberately reversed with respect to the leds so that they operate from perspective of the PC Host ie. When PC transmits, the TX led will light on this module

Parallax Inc. 599 Menlo Drive Rocklin, CA 95765 (916) 624-8333 <a href="http://www.parallax.com/">http://www.parallax.com/</a>	<b>USB to Serial (RS-232) Adapter</b>
Part Number 28950	Copyright 2016 Parallax Incorporated. All Rights Reserved.
Rev D	05 Apr 2016 <b>USB Interface</b>

# RS232 Serial interface



Parallax Inc.  
 599 Menlo Drive  
 Rocklin, CA 95765  
 (916) 624-8333  
<http://www.parallax.com/>

Part Number 28950

## USB to Serial (RS-232) Adapter

Copyright 2016 Parallax Incorporated. All Rights Reserved.

## Parallax Inc - USB to Serial (RS-232) Adapter

Part Number: 28030 Rev. D

BOM - 05 Apr 2016

RefDes	Value	Parallax PN	Manufacturer	Pattern
C100	4.7uF 6.3V	213-04761	Murata : GRM188F51A475ZE20D	0603
C101	0.1uF 25V	200-11509	Yageo : CC0402ZRY5V8BB104	0402
C102	0.01uF 16V	200-10504	AVX : 0402YC103KAT2A	0402
C103	47pF	213-04741	Yageo : CC0402JRNPO9BN470	0402
C104	47pF	213-04741	Yageo : CC0402JRNPO9BN470	0402
C105	0.1uF 25V	200-11509	Yageo : CC0402ZRY5V8BB104	0402
C201	0.1uF 25V	200-11509	Yageo : CC0402ZRY5V8BB104	0402
C202	0.1uF 25V	200-11509	Yageo : CC0402ZRY5V8BB104	0402
C203	0.1uF 25V	200-11509	Yageo : CC0402ZRY5V8BB104	0402
C204	0.1uF 25V	200-11509	Yageo : CC0402ZRY5V8BB104	0402
D100	Red Led	350-10001	Lite-On : LTST-C191KRKT	DIODE_0603
D101	Blue Led	350-10004	Lite-On : LTST-C190TBKT	DIODE_0603
D102	Green Led	350-10003	Lite-On : LTST-C191KGKT	DIODE_0603
FB100	2A, 220 Ohm Ferrite Bead	275-10004	TDK : MPZ1608S221ATA00	0603
FB101	Unpopulated			0603
J100	USB Mini B Socket SMT+TH	452-10020	Molex : 0513870578	USB Mini-B TH
J201	DB9 Male Connector		NINIGI : DS09P or Adam-Tech : DE09-PT-1	DB9M-PCB-EDGE-LONG
R100	27R	150-11050	Rohm : MCR01MRTJ270	0402
R101	27R	150-11050	Rohm : MCR01MRTJ270	0402
R200	470R	172-04720	Yageo : RC0402JR-07470RL	0402
R201	470R	172-04720	Yageo : RC0402JR-07470RL	0402
U100	FT231XS-R, USB to SERIAL	604-00065	FTDI : FT231XS-R	SSOP20
U201	RS232 Transceiver	603-10027	Zywyn : ZT213LEEA	SSOP-28

Parallax Inc.

599 Menlo Drive  
 Rocklin, CA 95765  
 (916) 624-8333  
<http://www.parallax.com/>

Part Number 28950

## USB to Serial (RS-232) Adapter

Copyright 2016 Parallax Incorporated. All Rights Reserved.

[www.parallax.com](http://www.parallax.com)