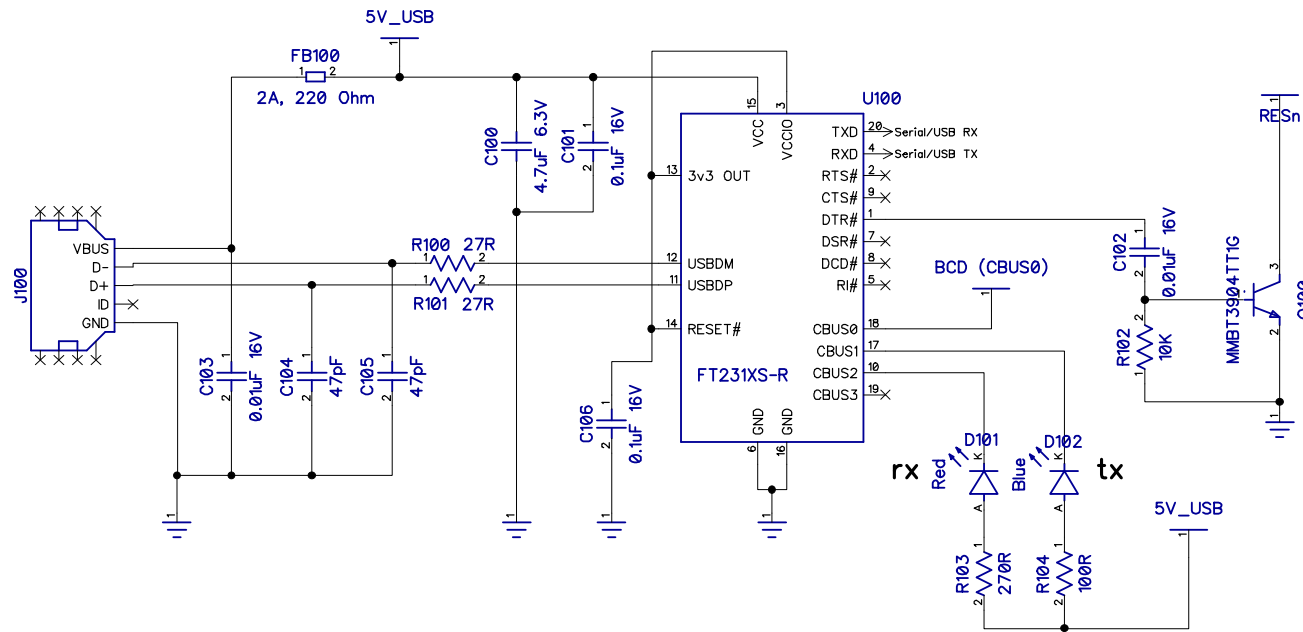


USB programming port and power



**FTDI tool settings:**

- CBUS0 = BCDCharger#
- CBUS1 = TXLED#
- CBUS2 = RXLED#
- CBUS3 = SLEEP#

Battery Charge Enable = True

USB Max Power = 500mA

Parallax Inc.

599 Menlo Drive  
 Rocklin, CA 95765  
 (916) 632-4664  
<http://www.parallax.com>

Part Number: 20000

13 Jul 2015

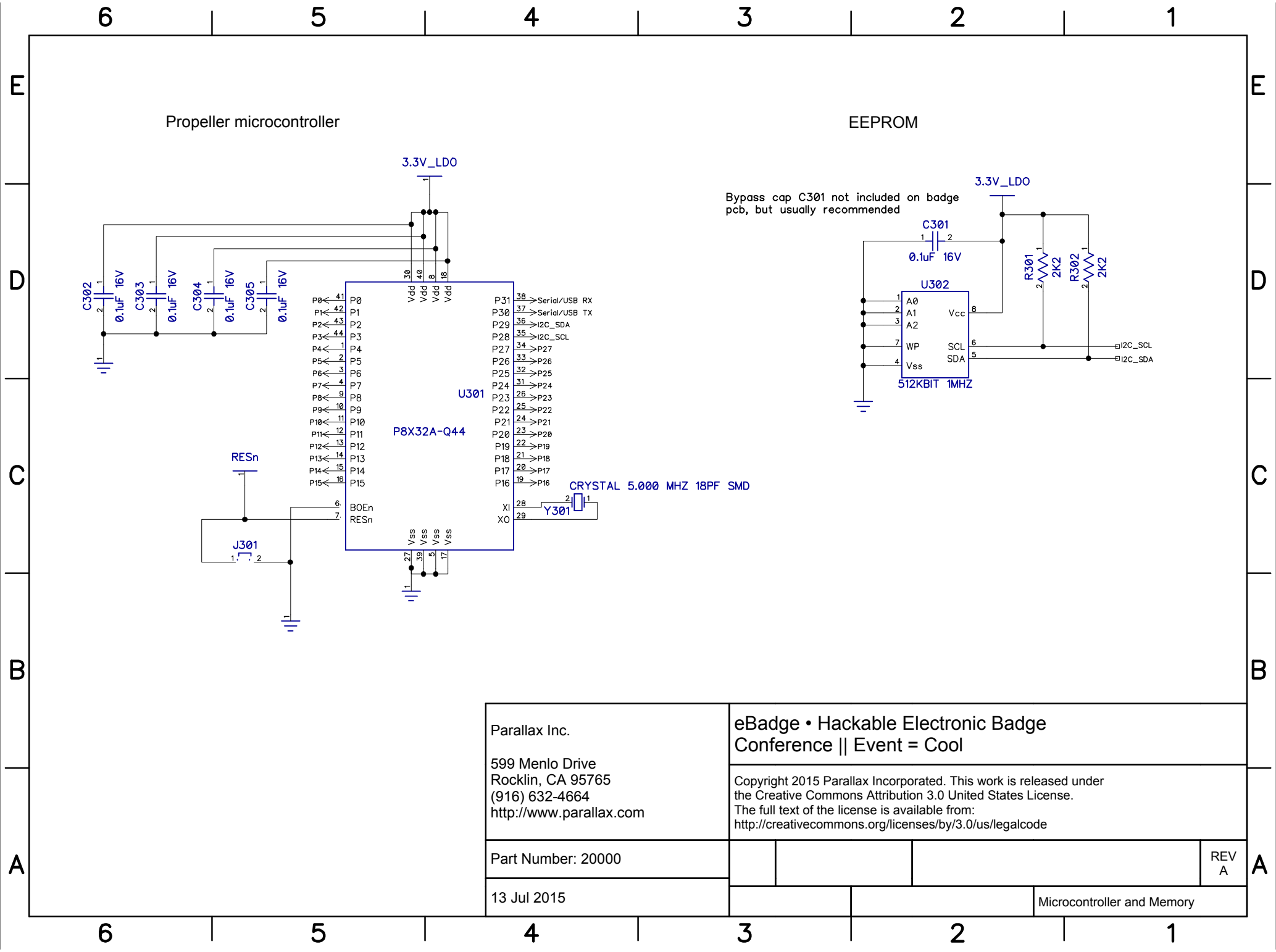
eBadge • Hackable Electronic Badge  
 Conference || Event = Cool

Copyright 2015 Parallax Incorporated. This work is released under  
 the Creative Commons Attribution 3.0 United States License.  
 The full text of the license is available from:  
<http://creativecommons.org/licenses/by/3.0/us/legalcode>

REV  
 A

USB Port

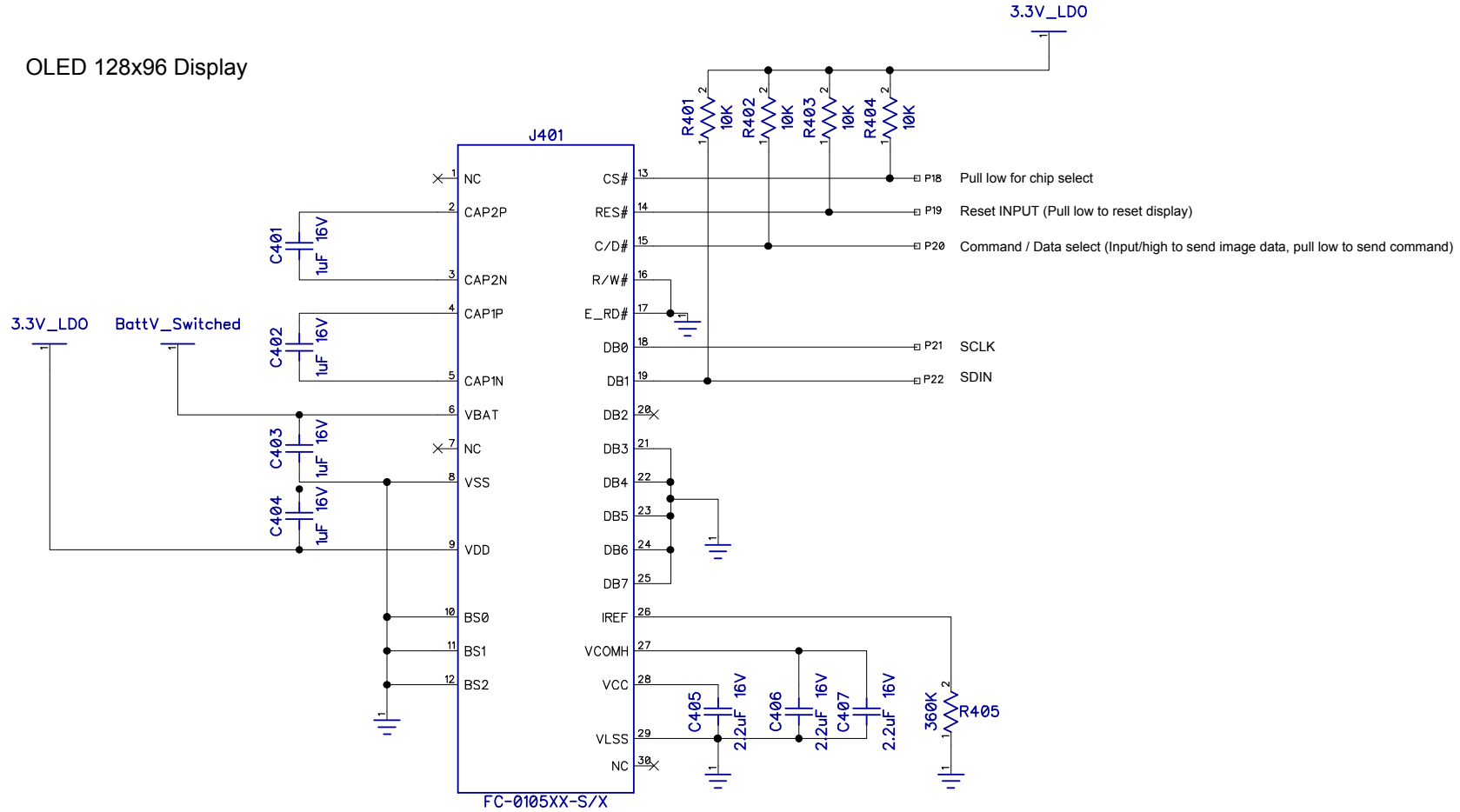




Bypass cap C301 not included on badge pcb, but usually recommended

|  |   |                                     |
|--|---|-------------------------------------|
| Parallax Inc.<br>599 Menlo Drive<br>Rocklin, CA 95765<br>(916) 632-4664<br><a href="http://www.parallax.com">http://www.parallax.com</a> | <b>eBadge • Hackable Electronic Badge</b><br>Conference    Event = Cool   |                                     |
| Part Number: 20000   | Copyright 2015 Parallax Incorporated. This work is released under the Creative Commons Attribution 3.0 United States License. The full text of the license is available from: <a href="http://creativecommons.org/licenses/by/3.0/us/legalcode">http://creativecommons.org/licenses/by/3.0/us/legalcode</a> |                                     |
| 13 Jul 2015  |   | REV A<br>Microcontroller and Memory |

OLED 128x96 Display

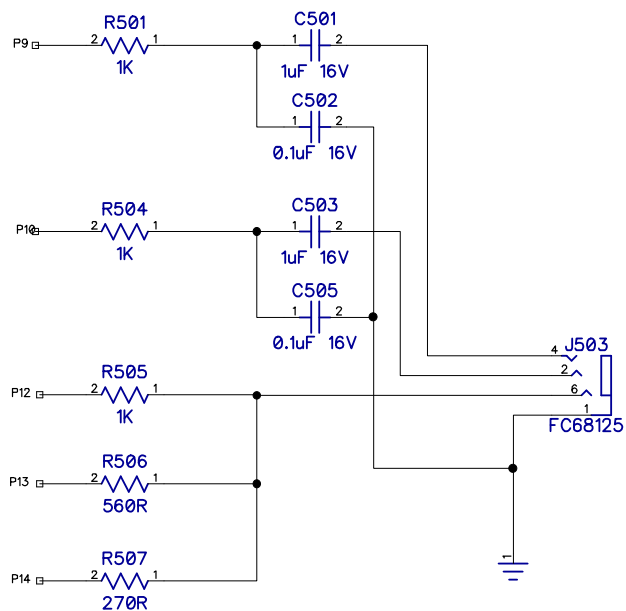


- HW401  
FIX-MADA-3.5
- HW402  
FIX-MADA-3.5
- HW403  
FIX-MADA-3.5
- HW404  
FIX-MADA-3.5
- U401  
ARS-2864HSWEG05
- J402  
BEZEL
- HW405  
FOAM PAD

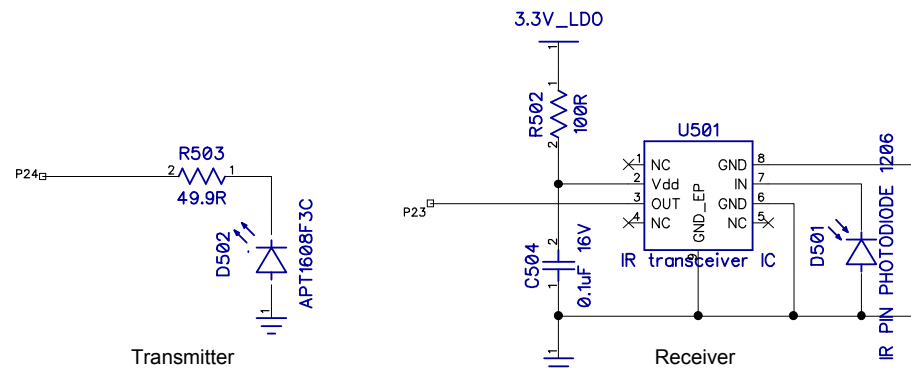
PROP I/O COUNT: 5

|  |  |   |  |
|--|--|---|--|
| Parallax Inc.<br>599 Menlo Drive<br>Rocklin, CA 95765<br>(916) 632-4664<br><a href="http://www.parallax.com">http://www.parallax.com</a> |  | eBadge • Hackable Electronic Badge<br>Conference    Event = Cool  |  |
|  |  | Copyright 2015 Parallax Incorporated. This work is released under the Creative Commons Attribution 3.0 United States License. The full text of the license is available from: <a href="http://creativecommons.org/licenses/by/3.0/us/legalcode">http://creativecommons.org/licenses/by/3.0/us/legalcode</a> |  |
| Part Number: 20000   |  | REV A   |  |
| 13 Jul 2015  |  | Display   |  |

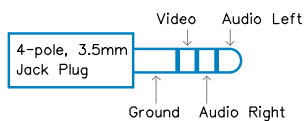
### Stereo Audio & Composite Video



### Infrared Communications



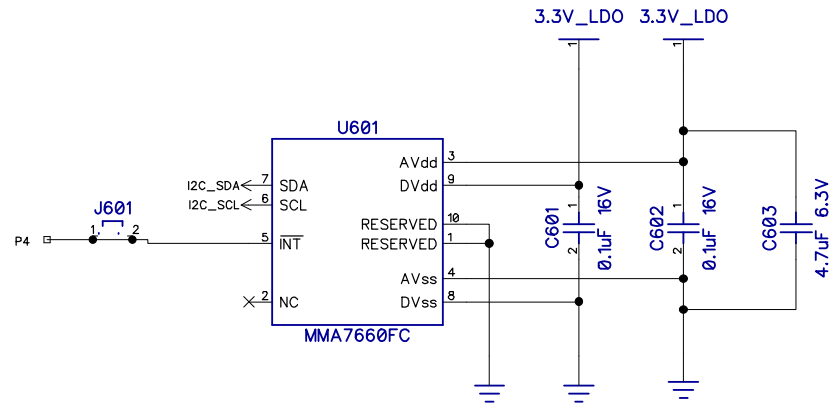
### Pinout for Audio Video connector J503



PROP I/O COUNT: 7

|  |   |           |
|--|---|-----------|
| Parallax Inc.<br>599 Menlo Drive<br>Rocklin, CA 95765<br>(916) 632-4664<br><a href="http://www.parallax.com">http://www.parallax.com</a> | eBadge • Hackable Electronic Badge<br>Conference    Event = Cool  |           |
|  | Copyright 2015 Parallax Incorporated. This work is released under the Creative Commons Attribution 3.0 United States License. The full text of the license is available from: <a href="http://creativecommons.org/licenses/by/3.0/us/legalcode">http://creativecommons.org/licenses/by/3.0/us/legalcode</a> |           |
| Part Number: 20000   |   | REV A     |
| 13 Jul 2015  |   | IR and AV |

3-Axis Orientation / Motion Detection Sensor

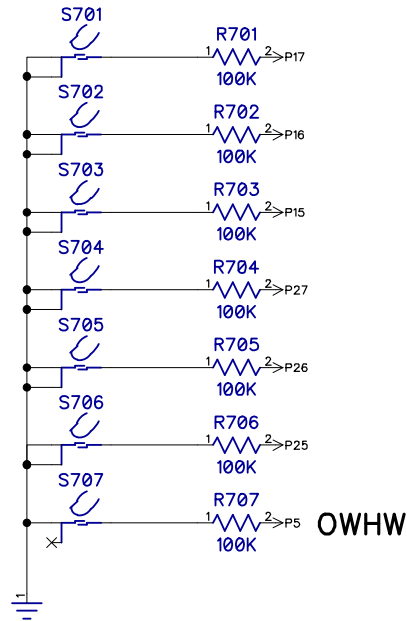


Tip! Interrupt "INT" pin is open drain active low by default  
 Change in code to push/pull OR add pull-up resistor (2K - 10K range)

|  |   |               |       |
|--|---|---------------|-------|
| Parallax Inc.<br>599 Menlo Drive<br>Rocklin, CA 95765<br>(916) 632-4664<br><a href="http://www.parallax.com">http://www.parallax.com</a> | eBadge • Hackable Electronic Badge<br>Conference    Event = Cool  |               |       |
| Part Number: 20000   | Copyright 2015 Parallax Incorporated. This work is released under the Creative Commons Attribution 3.0 United States License. The full text of the license is available from: <a href="http://creativecommons.org/licenses/by/3.0/us/legalcode">http://creativecommons.org/licenses/by/3.0/us/legalcode</a> |               |       |
| 13 Jul 2015  |   |               | REV A |
|  |   | Motion Sensor |       |

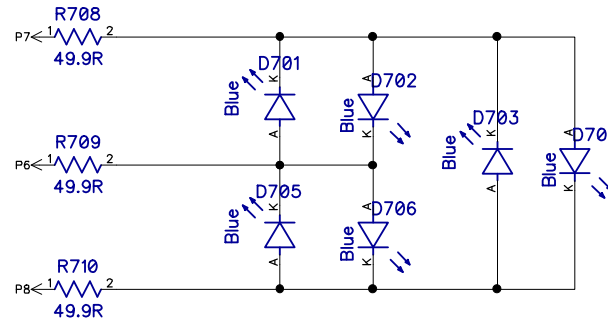
PROP I/O COUNT: 1 + Shared I2C

Passive Touch Pads



Use for password entry, game control, graphical fun  
 Led positioned next to each pad, to indicate pad-press

LED array for touch pads

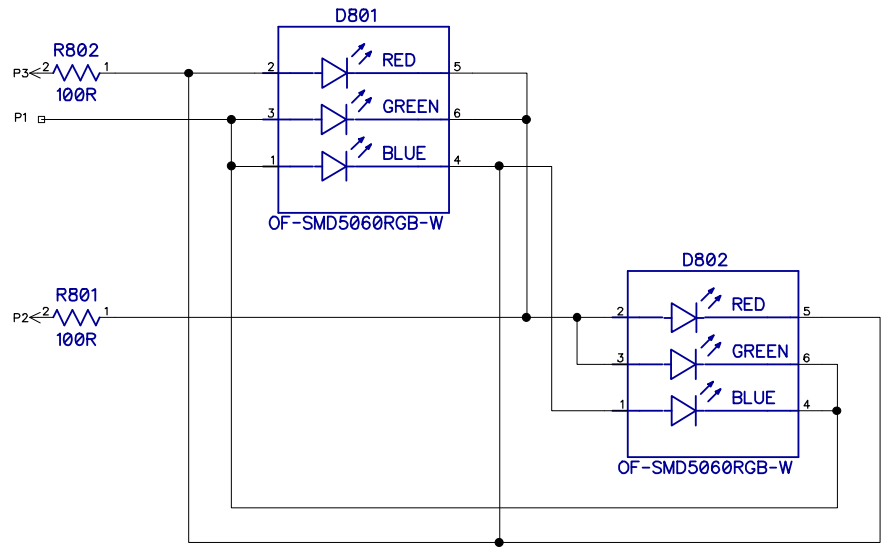


Refer to product guide for explanation of led matrix

PROP I/O COUNT: 7 touch + 3 led

|  |  |            |       |
|--|--|------------|-------|
| Parallax Inc.<br>599 Menlo Drive<br>Rocklin, CA 95765<br>(916) 632-4664<br><a href="http://www.parallax.com">http://www.parallax.com</a> | eBadge • Hackable Electronic Badge<br>Conference    Event = Cool   |            |       |
|  | Copyright 2015 Parallax Incorporated. This work is released under<br>the Creative Commons Attribution 3.0 United States License.<br>The full text of the license is available from:<br><a href="http://creativecommons.org/licenses/by/3.0/us/legalcode">http://creativecommons.org/licenses/by/3.0/us/legalcode</a> |            |       |
| Part Number: 20000   |  |            | REV A |
| 13 Jul 2015  |  | Touch Pads |       |

Tri-color RGB LED Modules



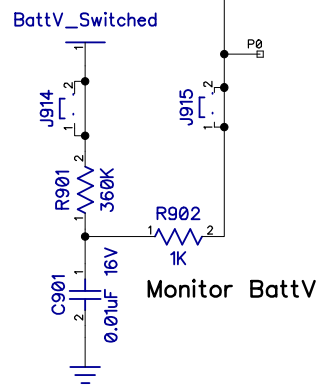
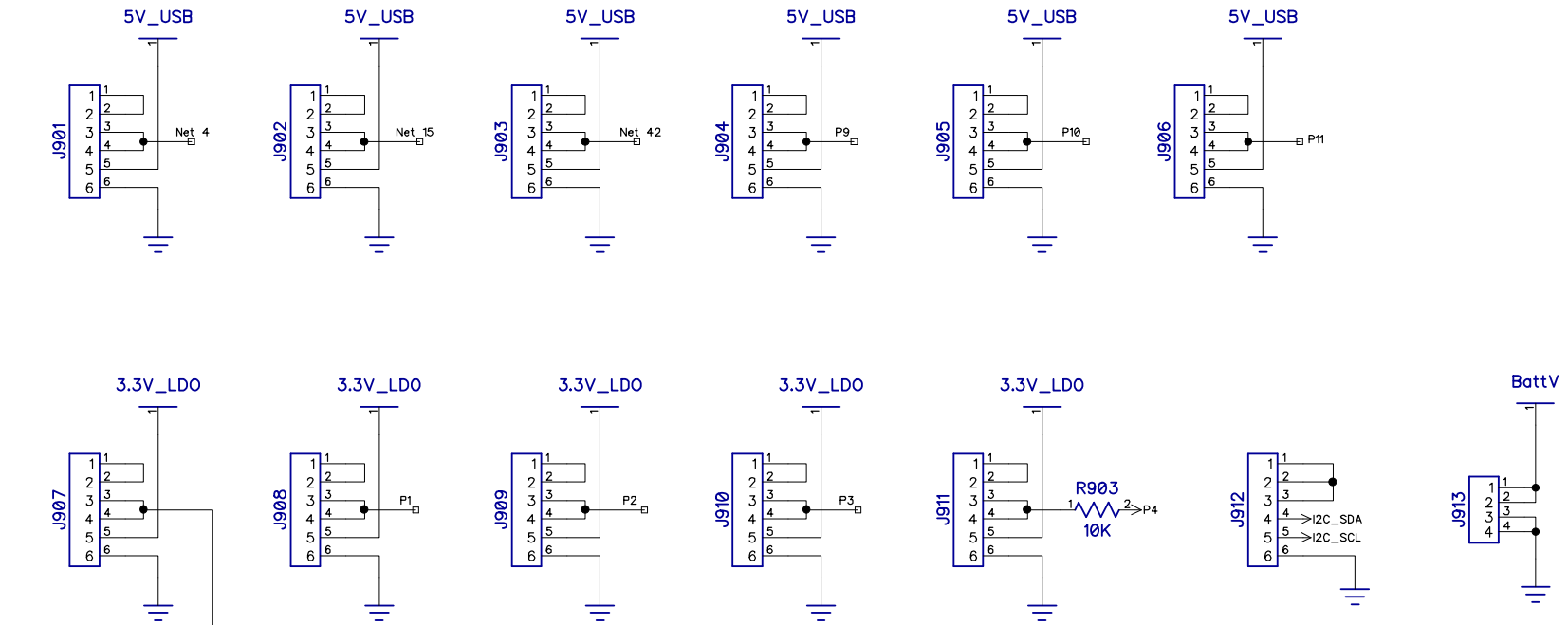
Refer to product guide for explanation of led matrix

PROP I/O COUNT: 3

|  |  |   |  |
|--|--|---|--|
| Parallax Inc.<br>599 Menlo Drive<br>Rocklin, CA 95765<br>(916) 632-4664<br><a href="http://www.parallax.com">http://www.parallax.com</a> |  | eBadge • Hackable Electronic Badge<br>Conference    Event = Cool  |  |
|  |  | Copyright 2015 Parallax Incorporated. This work is released under the Creative Commons Attribution 3.0 United States License. The full text of the license is available from: <a href="http://creativecommons.org/licenses/by/3.0/us/legalcode">http://creativecommons.org/licenses/by/3.0/us/legalcode</a> |  |
| Part Number: 20000   |  | REV A   |  |
| 13 Jul 2015  |  | RGB Leds  |  |



Hackers Headers (Mini Prototype Areas)



|  |  |   |  |
|--|--|---|--|
| Parallax Inc.<br>599 Menlo Drive<br>Rocklin, CA 95765<br>(916) 632-4664<br><a href="http://www.parallax.com">http://www.parallax.com</a> |  | eBadge • Hackable Electronic Badge<br>Conference    Event = Cool  |  |
| Part Number: 20000   |  | Copyright 2015 Parallax Incorporated. This work is released under the Creative Commons Attribution 3.0 United States License. The full text of the license is available from: <a href="http://creativecommons.org/licenses/by/3.0/us/legalcode">http://creativecommons.org/licenses/by/3.0/us/legalcode</a> |  |
| 13 Jul 2015  |  | REV A   |  |
|  |  | Hackers Headers   |  |