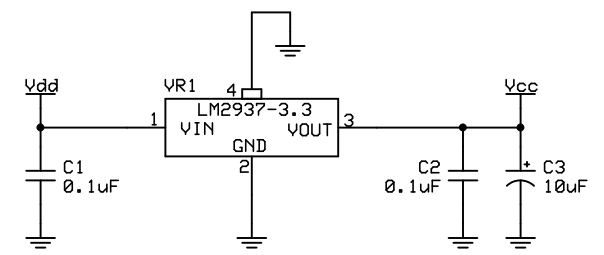
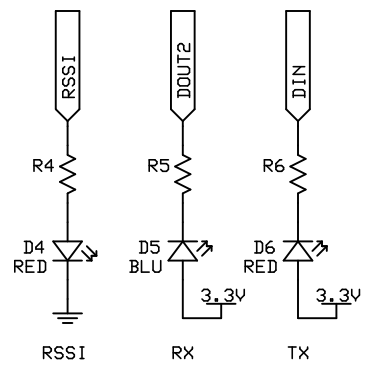
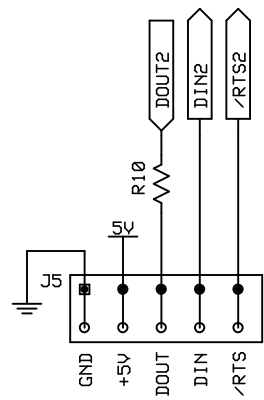
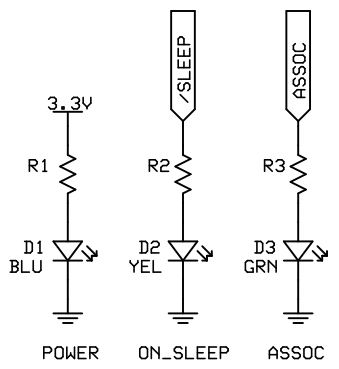
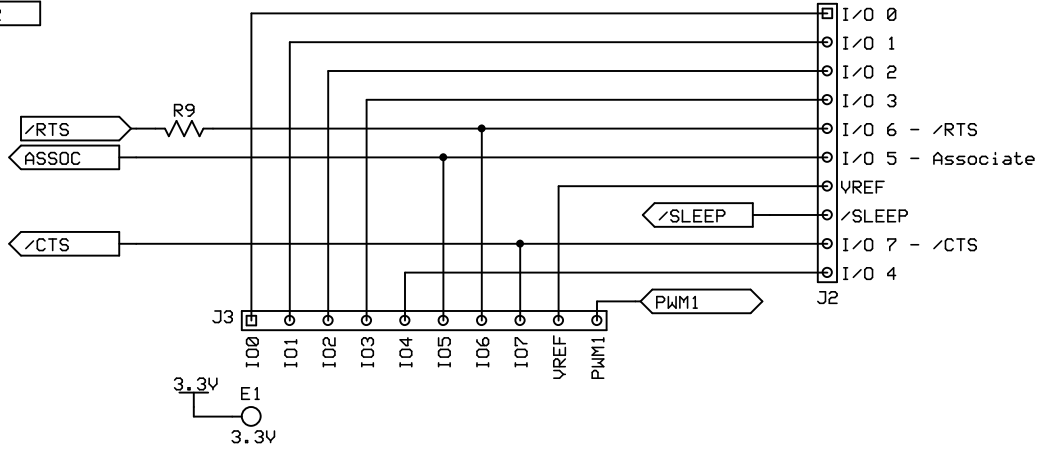
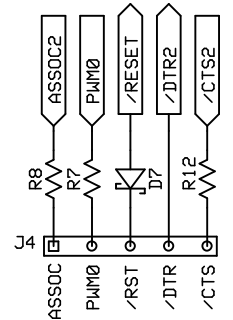
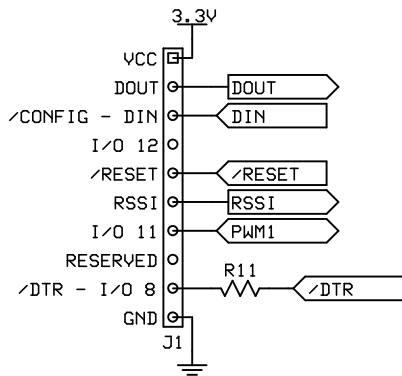


NOTES:  
 D1 - BLUE LED (POWER)  
 D2 - YELLOW LED (ON / NOT IN SLEEP MODE)  
 D3 - GREEN LED (ASSOCIATE)  
 D4 - RED LED (RSSI)  
 D5 - BLUE LED (RX)  
 D6 - RED LED (TX)  
 D7 - RB751S40T1  
 J1 / J2 ARE XBEE SOCKETS  
 /RESET IS ISOLATED TO DRIVE LOW ONLY



<b>Parallax Inc.</b>		599 Menlo Drive Rocklin, CA 95765
<b>XBee SIP Adapter</b>		
32402	Rev A 10/01/2010	Page 1 of 1