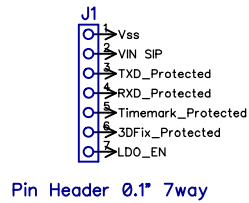
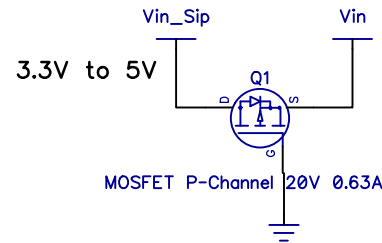


Power Supply and Connectors

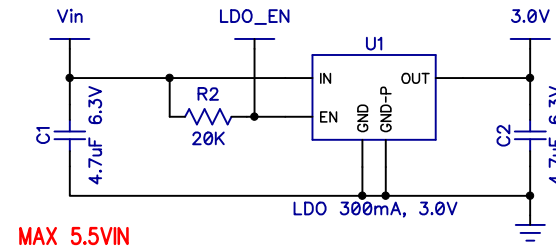
0.1" SIP Header



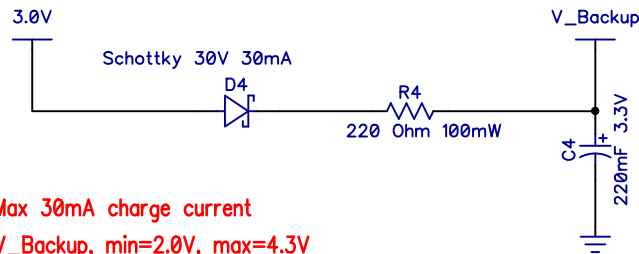
Reverse Polarity Protection



3V Low Noise Regulator



Supercapacitor Charger



Max 30mA charge current

V_Backup, min=2.0V, max=4.3V

Conservative charge resistor value installed as standard :

Could be reduced as low as 100 Ohms for faster charge, but higher charge current

Mounting holes



Manufacturing



Parallax Inc.
599 Menlo Drive
Rocklin, CA 95765

(916) 624-8333
<http://www.parallax.com/>

SIM33EAU GPS Module

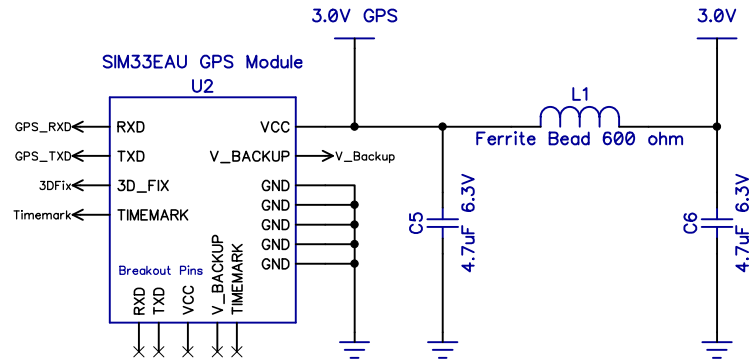
Copyright 2020 Parallax Incorporated. All Rights Reserved.
This is Open Source Hardware. This work is licensed under a Creative Commons Attribution-ShareAlike 4.0 International License. The full text of the license is available from: <http://creativecommons.org/licenses/by-sa/4.0>

Part Number: 28504
Revision: B

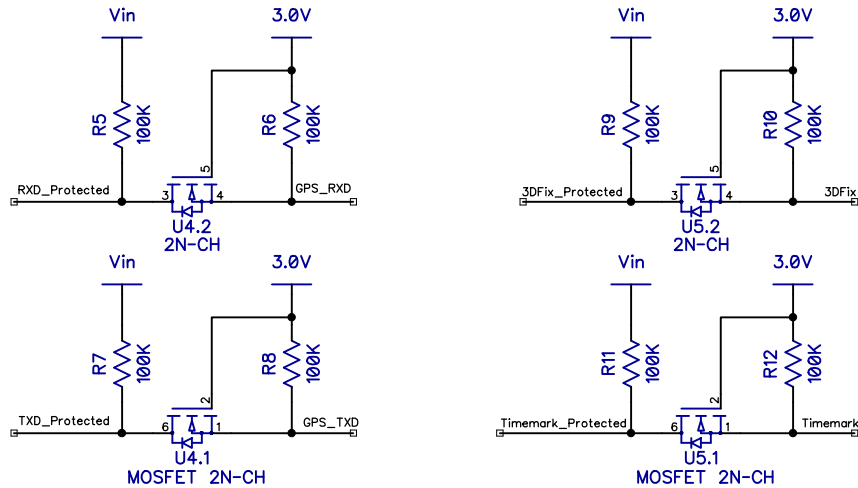
Last Update: 02 Feb 2020 (MM)

SIM33EAU GPS Module

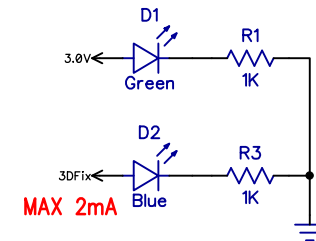
GPS Module



Logic Level Shifters



Status LEDs



Parallax Inc.
599 Menlo Drive
Rocklin, CA 95765

(916) 624-8333
<http://www.parallax.com/>

SIM33EAU GPS Module

Copyright 2020 Parallax Incorporated. All Rights Reserved.
This is Open Source Hardware. This work is licensed under a Creative Commons Attribution-ShareAlike 4.0 International License. The full text of the license is available from: <http://creativecommons.org/licenses/by-sa/4.0>

Part Number: 28504
Revision: B

Last Update: 02 Feb 2020 (MM)

BOM

| RefDes | Quantity | Value | Name | Manufacturer |
|-----------------------------------|----------|----------------------------|--|-------------------------------|
| C1, C2, C5, C6 | 4 | 4.7uF 6.3V | 200-01049 : CAP-CER,4.7uF,X5R,6.3V,0402 | TDK : C1005X5R0J475M050BC |
| C4 | 1 | 220mF 3.3V | 200-10306 : SUPERCAP 220MF 3.3V SMD | Elna : DSK-3R3H224U-HL |
| D1 | 1 | Green | 350-10003 : LED 0603, Green Clear | Lite-On : LTST-C191KGKT |
| D2 | 1 | Blue | 350-10004 : LED 0603, Blue Clear | Lite-On : LTST-C190TBKT |
| D4 | 1 | Schottky 30V 30mA | 501-10008 : Diode,Schottky,40V,30mA | OnSemi : RB751S40T1G |
| J1 | 1 | Pin Header 0.1" 7way | 450-00143 : CON-HDR,1X7,RA,SMT | SAMTEC : TSM-107-02-L-SH-K |
| L1 | 1 | Ferrite Bead 600 ohm | 275-10051 : Ferrite Bead,300mA,600Ohm,0402 | Samsung : CIM05U601NC |
| MH1, MH2 | 2 | Mounting Hole Vss | Empty | Empty |
| PCB1 | 1 | PCB | 300-28504 : Raw PCB - SIM33EAU GPS | |
| Q1 | 1 | MOSFET P-Channel 20V 0.63A | 500-10033 : MOSFET P-CH 20V 0.63A SOT-323 | Infineon : BSS209PWH6327XTSA1 |
| R1, R3 | 2 | 1K | 173-10002 : RES,1K,5%,0402 | Stackpole : RMCF0402JT1K00 |
| R2 | 1 | 20K | 172-16002 : RES,20K,1%,0402 | Yageo : RC0402FR-0720KL |
| R4 | 1 | 220 Ohm 100mW | 150-11045 : RES,220,5%,0603 | Panasonic : ERJ-3GEYJ221V |
| R5, R6, R7, R8, R9, R10, R11, R12 | 8 | 100K | 150-11052 : Res,100k,0402 | Yageo : RC0402JR-07100KL |
| U1 | 1 | LDO 300mA, 3.0V | 601-10601 : IC-REG,LDO,3.0V,UDFN4 | OnSemi : NCP114AMX300TCG |
| U2 | 1 | SIM33EAU GPS Module | 604-28504 : SIM33EAU GPS Sensor 9600 BD | SIMCOM : SIM33EAU |
| U4, U5 | 2 | MOSFET 2N-CH | 500-10032 : MOSFET,N,Dual,220mA,30V,6TSSOP | Diodes Inc : DMN63D8LDW-7 |
| | 30 | | | |

Parallax Inc.
599 Menlo Drive
Rocklin, CA 95765

(916) 624-8333
<http://www.parallax.com/>

SIM33EAU GPS Module

Copyright 2020 Parallax Incorporated. All Rights Reserved.
This is Open Source Hardware. This work is licensed under a Creative Commons Attribution-ShareAlike 4.0 International License. The full text of the license is available from: <http://creativecommons.org/licenses/by-sa/4.0>

Part Number: 28504
Revision: B

Last Update: 02 Feb 2020 (MM)