

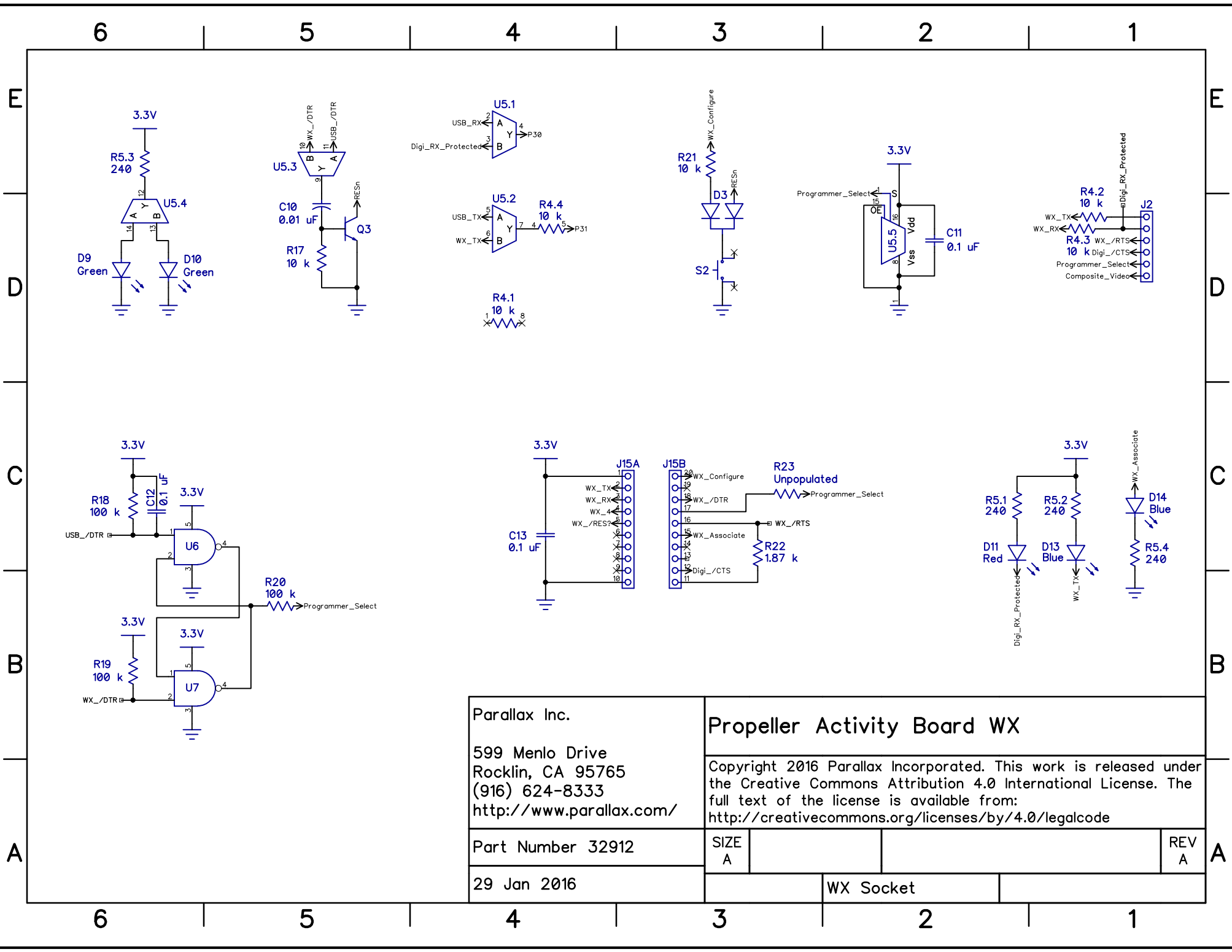
Parallax Inc.
 599 Menlo Drive
 Rocklin, CA 95765
 (916) 624-8333
<http://www.parallax.com/>

Part Number 32912
 29 Jan 2016

Propeller Activity Board WX

Copyright 2016 Parallax Incorporated. This work is released under the Creative Commons Attribution 4.0 International License. The full text of the license is available from: <http://creativecommons.org/licenses/by/4.0/legalcode>

SIZE A			REV A
Power			



Parallax Inc.
 599 Menlo Drive
 Rocklin, CA 95765
 (916) 624-8333
<http://www.parallax.com/>

Part Number 32912
 29 Jan 2016

Propeller Activity Board WX

Copyright 2016 Parallax Incorporated. This work is released under the Creative Commons Attribution 4.0 International License. The full text of the license is available from: <http://creativecommons.org/licenses/by/4.0/legalcode>

SIZE A		REV A
WX Socket		

6 5 4 3 2 1

E

E

D

D

C

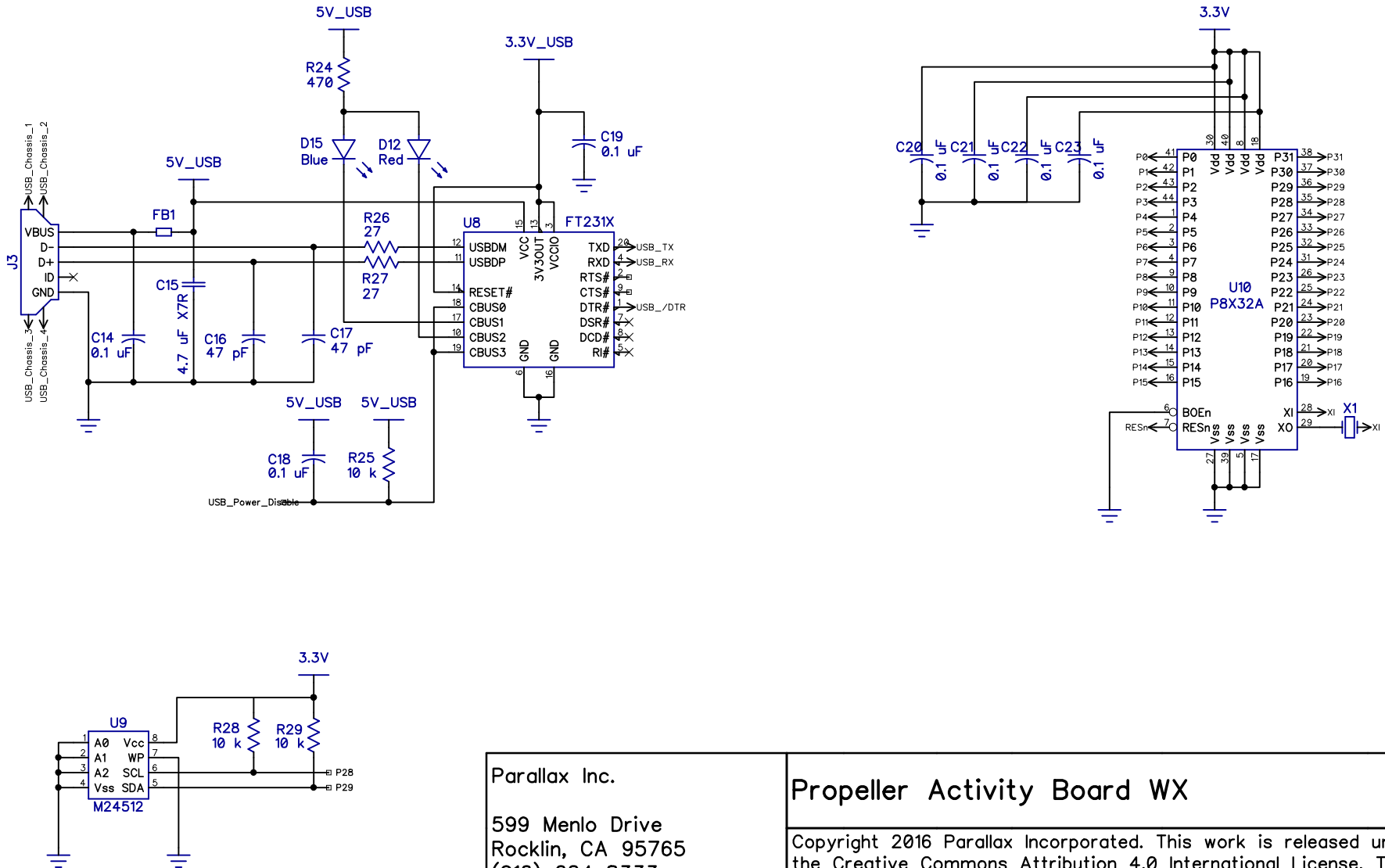
C

B

B

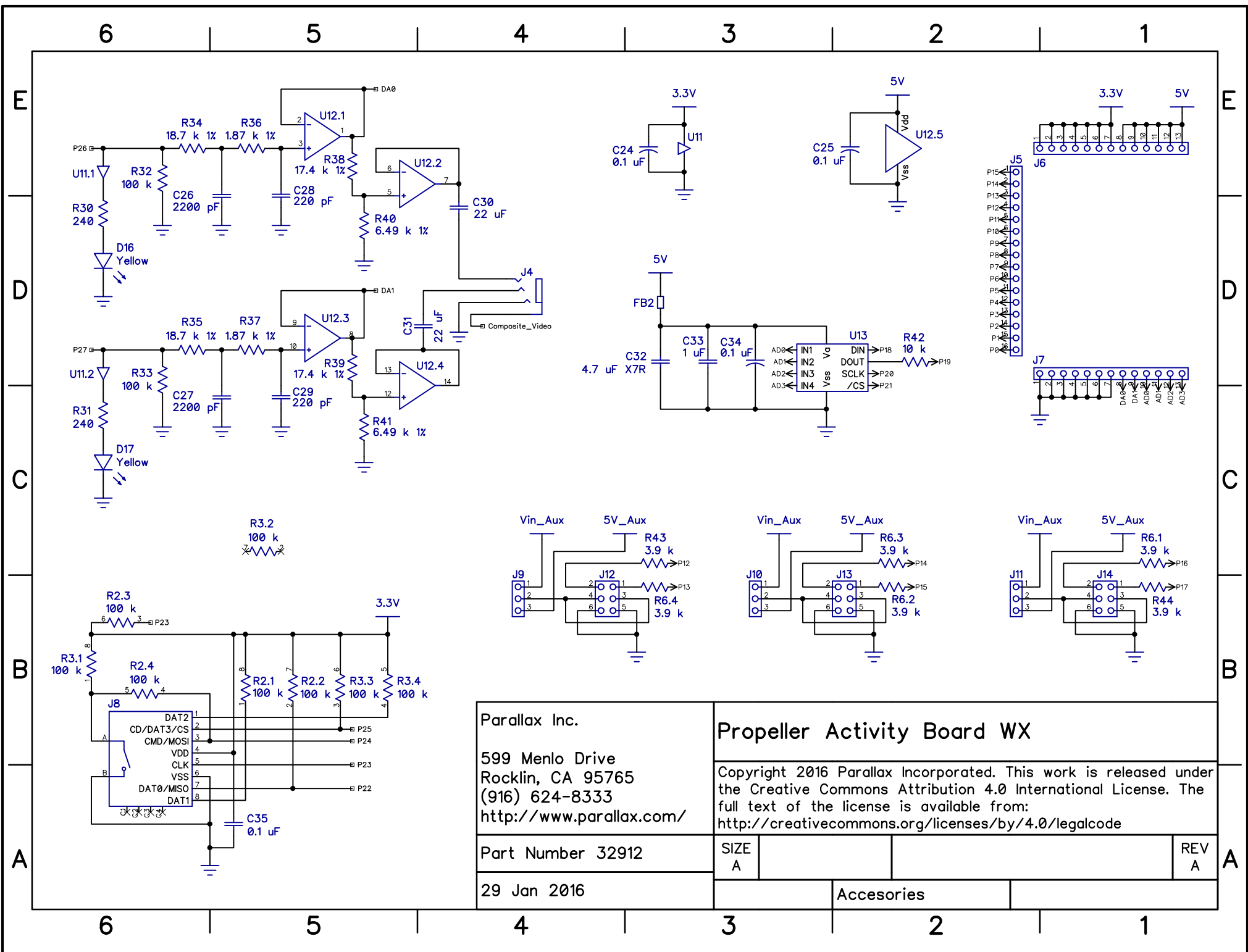
A

A



Parallax Inc.		Propeller Activity Board WX	
599 Menlo Drive Rocklin, CA 95765 (916) 624-8333 http://www.parallax.com/		Copyright 2016 Parallax Incorporated. This work is released under the Creative Commons Attribution 4.0 International License. The full text of the license is available from: http://creativecommons.org/licenses/by/4.0/legalcode	
Part Number 32912	SIZE A		REV A
29 Jan 2016	USB and Propeller		

6 5 4 3 2 1



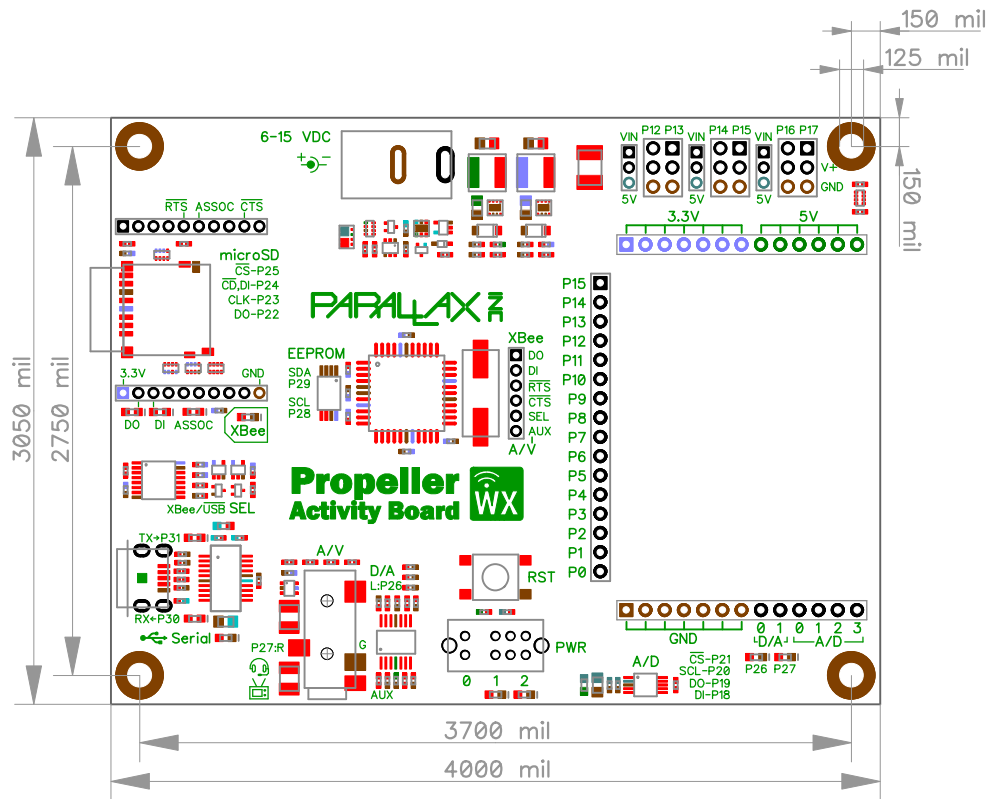
Parallax Inc.
 599 Menlo Drive
 Rocklin, CA 95765
 (916) 624-8333
<http://www.parallax.com/>

Part Number 32912
 29 Jan 2016

Propeller Activity Board WX

Copyright 2016 Parallax Incorporated. This work is released under the Creative Commons Attribution 4.0 International License. The full text of the license is available from: <http://creativecommons.org/licenses/by/4.0/legalcode>

SIZE A		REV A
Accessories		



Parallax Inc.
 599 Menlo Drive
 Rocklin, CA 95765
 (916) 624-8333
<http://www.parallax.com/>

Propeller Activity Board WX

Copyright 2016 Parallax Incorporated. This work is released under the Creative Commons Attribution 4.0 International License. The full text of the license is available from: <http://creativecommons.org/licenses/by/4.0/legalcode>

Part Number: 32912

32912 Propeller Activity Board WX Rev A.dip

REV
A

28 Jan 2016

SCALE 1:1

Sheet 1

6

5

4

3

2

1

E

E

D

D

C

C

B

B

A

A

6

5

4

3

2

1

Stock code	Quantity	Description	Reference Designator
150-11022	7.00	RES,10K,5%,0402	R7,R17,R21,R25,R28,R29,R42
150-11050	2.00	Res,27,0402	R26,R27
150-11051	2.00	Res,3.9k,0402	R43,R44
150-12023	2.00	RES,240,5%,0402	R30,R31
172-04720	3.00	Res,470,0402	R10,R11,R24
172-10220	1.00	Res,10.5k,1%,0402	R12
172-10221	4.00	Res,17.4k,1%,0402	R8,R13,R38,R39
172-10222	3.00	Res,54.9,1%,0402	R14-R16
172-10223	2.00	Res,6.49k,1%,0402	R40,R41
172-10225	3.00	Res,1.87k,1%,0402	R22,R36,R37
172-16001	2.00	RES,18K,1%,0402	R34,R35
173-01040	6.00	RES,100K,5%,0402	R9,R18-R20,R32,R33
179-10000	1.00	RES-NTWK,10K,5%,0804	R4
179-10007	3.00	RES-NTWK,100K,5%,0804	R1-R3
179-10009	1.00	RES-NTWK,3.9K,5%,0804	R6
179-10016	1.00	Res-ntwk,470,0804	R5
200-10502	2.00	CAP-CER,470pF,10%,50V,0402	C28,C29
200-10503	2.00	CAP-CER,1000pF,5%,50V,0402	C26,C27
200-10504	3.00	CAP-CER,0.01uF,10%,16V,0402	C5,C6,C10
200-11509	15.00	CAP-CER,0.1uF,Y5R,25V,0402	C9,C11-C14,C18-C25,C34,C35
213-01010	4.00	Cap-Cer,10uF,20V,X5R,0805	C1-C4
213-01011	1.00	Cap-Cer,1uF,25V,X5R,0402	C33
213-02210	2.00	Cap-Cer,22uF,10V,Y5V,1210	C30,C31
213-04740	2.00	Cap-Cer,4.7uF,10V,X7R,0805	C15,C32
213-04741	4.00	Cap-Cer,47pF,10V,X5R,0402	C7,C8,C16,C17
251-15000	1.00	CRYSTAL 5.000 MHZ 18PF SMD	X1
275-00180	2.00	Ind,4.7uH,3.1A,Shielded,4.9mm	L1,L2
275-10004	2.00	Ferrite Bead,2A,22OHM,0603,SMT	FB1, FB2
350-10001	2.00	LED 0603, Super Red Clear	D11,D12
350-10002	2.00	LED 0603, Yellow Clear	D16,D17
350-10003	4.00	LED 0603, Green Clear	D7-D10
350-10004	3.00	LED 0603, Blue Clear	D13-D15
400-00014	1.00	Switch, DP3T (3 Position)	S1
400-10002	1.00	SW-PB,Tactile,Blue,SMD	S2
450-00105	3.00	CON-HDR,2x3,0.1",Straight,TH	J12-J14
450-01301	2.00	CON-SCKT,1x13,0.1",Straight,TH	J6,J7
450-01601	1.00	CON-SCKT,1x16,0.1",Straight,TH	J5
450-01701	2.00	CON-SCKT,1X10,2mm,Straight,TH	J15A, J15B
451-00104	1.00	Con-Hdr,1x6,2mm,TH	J2
451-01030	3.00	CON-HDR,1X3,2mm,Straight,TH	J9-J11
452-00043	3.00	Shunt,2mm,2Pos,Black,Grip	
452-00094	1.00	Jack,Barell,2.1mm,2-pin	J1
452-10017	1.00	CON-MICRO SD,RA,PUSH-PULL,SMT	J8
452-10019	1.00	CON-JACK,TRRS,RA,3.5mm	J4
452-10020	1.00	CON,USB Mini-B,SMD+TH	J3
500-00009	1.00	BJT,NPN,200mA,40V,SOT-416	Q3
500-10031	1.00	MOSFET,P,Dual,6A,20V,1.8x3mm	Q1
500-10032	1.00	MOSFET,N,Dual,220mA,30V,6TSSOP	Q2
501-10030	3.00	Diode,Silicon,Dual,CC,DAN222G	D1-D3
501-10031	1.00	Diode,Zener,4.3V,MM5Z4V3	D4
501-10032	2.00	Diode,Schottky,30V,3A,SOD-123F	D5,D6
502-14003	1.00	FUSE-PTC,RESTBLE,1.50A,6V,1812	F1
601-10341	2.00	IC-REG,1.8A,8-DFN,AOZ1281DI	U1,U2
602-10001	1.00	IC SRL EEPROM 512K 2.7V	U9
603-10024	1.00	IC, Buff, Dual, 6TSSOP, NC7WZ17P6X	U11
603-10026	1.00	IC, OpAmp, Quad, 14TSSOP, MCP6004T	U12
604-00065	1.00	IC-FTDI, FT231X	U8
604-10014	1.00	IC-ADC,12BIT,4CH,200K,MSOP-10	U13
604-10022	1.00	IC-SW,Power,1.8A,6WDFN,RT9728B	U4
604-10023	1.00	IC-SW,Analog,Quad,TS3A5018PWR	U5
604-10027	1.00	IC-GATE,2-IN,OR,TTL,SOT-353	U3
604-10028	2.00	IC,NAND,SOT-353,74AHCT1G00	U6,U7
P8X32A-Q44	1.00	IC-P8X32A-Q44 (QFP)	U10