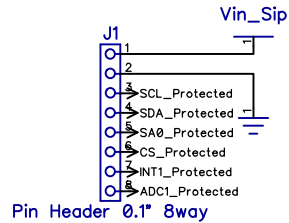
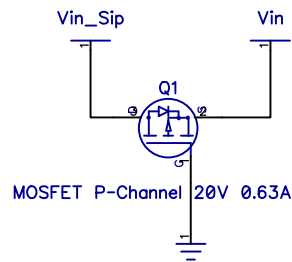


# Accelerometer with ADC

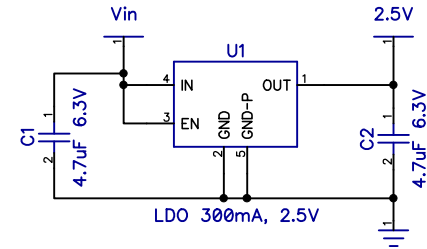
## 3V to 5 VIN



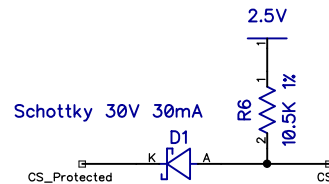
## Reverse Polarity Protection



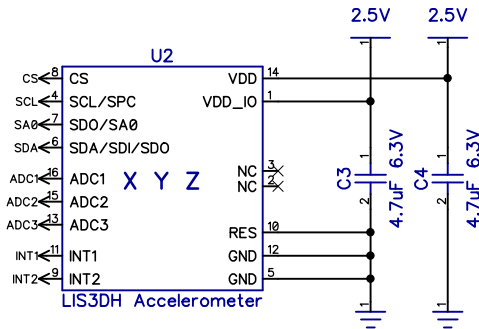
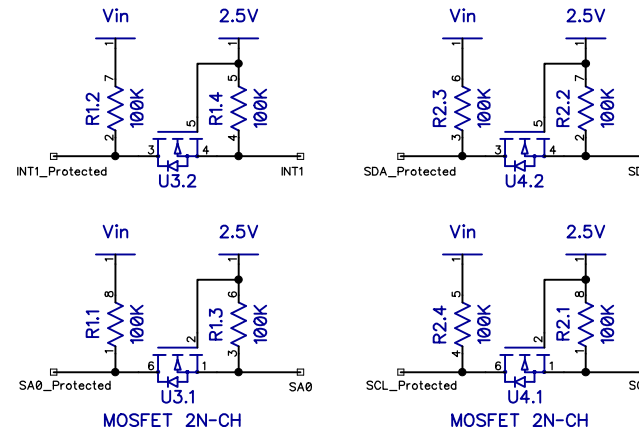
## 2.5V LDO Regulator



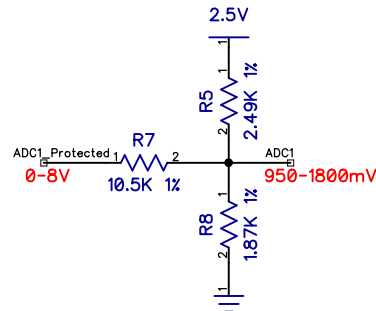
## CS Input protection



## Logic level shifters



## ADC Input



## Test Point & User Breakout



Parallax Inc.  
599 Menlo Drive  
Rocklin, CA 95765

(916) 624-8333  
<http://www.parallax.com/>

## LIS3DH 3-Axis Accelerometer with ADC

Copyright 2019 Parallax Incorporated. All Rights Reserved.  
This is Open Source Hardware. This work is licensed under a Creative Commons Attribution-ShareAlike 4.0 International License. The full text of the license is available from: <http://creativecommons.org/licenses/by-sa/4.0>

Part Number: 29020  
Revision: A

Last Update: 12 Oct 2019 (MM)

## BOM

RefDes	Quantity	Value	Name	Manufacturer
C1, C2, C3, C4	4	4.7uF 6.3V	200-01049 : CAP-CER,4.7uF,X5R,6.3V,0402	TDK : C1005X5R0J475M050BC
D1	1	Schottky 30V 30mA	501-10008 : Diode,Schottky,40V,30mA	OnSemi : RB751S40T1G
J1	1	Pin Header 0.1" 8way	450-00142 : CON-HDR,1X8,RA,SMT	Samtec : TSM-108-02-L-SH-K
J2	1	Empty	Empty 0.1" SMT Pads	
PCB1	1	PCB	300-29020 : Raw, PCB LIS3DH 3-Axis Accelerometer with ADC	
Q1	1	MOSFET P-Channel 20V 0.63A	500-10033 : MOSFET P-CH 20V 0.63A SOT-323	Infineon : BSS209PWH6327XTSA1
R1, R2	2	100K	179-10007 : RES-NTWK,100K,5%,0804	Panasonic : EXB-28V104JX
R5	1	2.49K 1%		
R6, R7	2	10.5K 1%	172-10220 : Res,10.5k,1%,0402	Panasonic : ERJ-2RKF1052X
R8	1	1.87K 1%	172-10225 : Res,1.87k,1%,0402	Yageo : RC0402FR-071K87L
U1	1	LDO 300mA, 2.5V	601-10332 : IC REG LDO CMOS 2.5V UDFN4	OnSemi : NCP114AMX250TCG
U2	1	LIS3DH Accelerometer	604-29020 : ACCEL LIS3DH 2-16G I2C/SPI 16LGA	ST Micro : LIS3DHTR
U3, U4	2	MOSFET 2N-CH	500-10032 : MOSFET,N,Dual,220mA,30V,6TSSOP	Diodes Inc : DMN63D8LDW-7
	19			

Parallax Inc.  
599 Menlo Drive  
Rocklin, CA 95765

(916) 624-8333  
<http://www.parallax.com/>

## Accelerometer with ADC - LIS3DH

Copyright 2019 Parallax Incorporated. All Rights Reserved.  
This is Open Source Hardware. This work is licensed under a Creative Commons Attribution-ShareAlike 4.0 International License. The full text of the license is available from: <http://creativecommons.org/licenses/by-sa/4.0>

Part Number: 29020  
Revision: A

Last Update: 12 Oct 2019 (MM)