

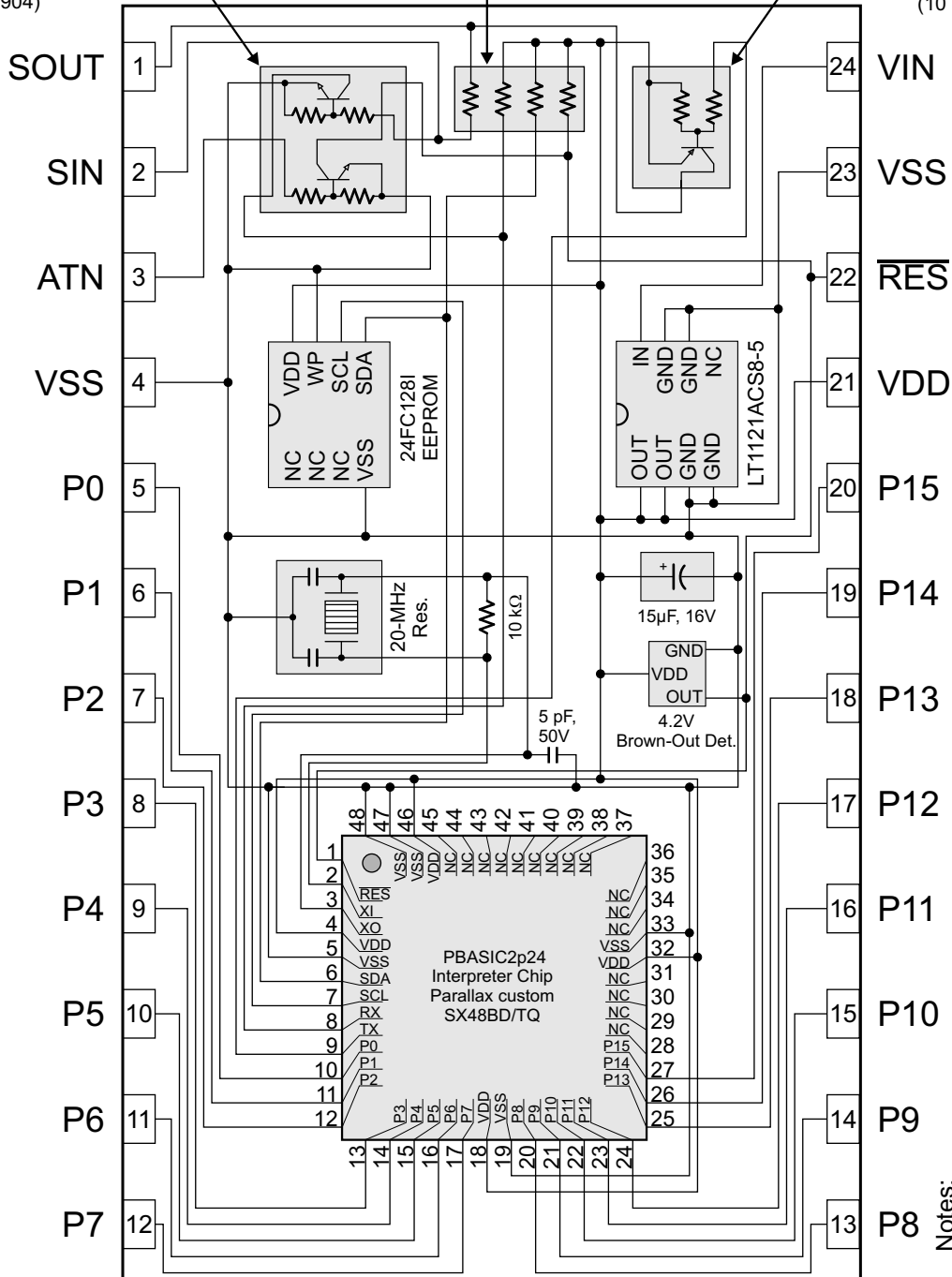
BASIC Stamp® BS2p24-IC Module Schematic Rev. E

Updated October-19-2012 © Parallax, Inc.

Dual NPN Trans. Pack
 (10 kΩ Res. & 2N3904)

Quad Res. Pack (4.7 kΩ Res.)

Single PNP Trans. Pack,
 (10 kΩ Res. & 2N3906)



Notes:

The 15μF, 16V capacitor may be a 15-22μF, 6.3-16V tantalum capacitor.

The 24FC128I Industrial EEPROM may be a non-industrial 24FC128, or 24WC128J EEPROM.

The 20 MHz resonator is not polarity sensitive and the middle pin can be connected to either VDD or VSS.

