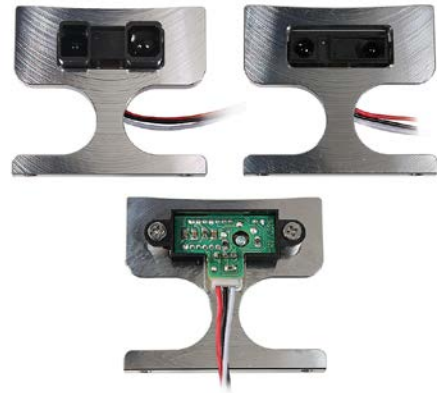


## Aluminum Stand Kit for Sharp IR Sensor (#725-28910)

This aluminum bracket kit is designed for mounting either of two popular Sharp IR Distance Sensors to your project. The precision machined ¼" thick high-grade aluminum conveniently positions and protects the sensor in both stationary and robotics applications. Assembly is quick and easy.



*Kit Contents*



*Assembled Views*

### Features

- Fits Sharp GP2Y0A21YK0F IR Distance Sensor 10-80 cm (#28995) and Sharp GP2Y0A02YK0F IR Distance Sensor 20-150 cm (#28997)
- Custom CNC-machined from 6061 high-grade aluminum
- Hardware for mounting sensor to stand and attaching stand to your project are included
- Dimensions: 1.95 in x 2.20 in x 0.25 in (11.43 mm x 55.88 mm x 6.35 mm)

### Kit Contents

- (1) Aluminum Protector Stand (#720-28005)
- (2) Philips flat-head screws, 4-40 x 1/2" (#710-00015)
- (2) Nylon spacers, round, #4 x 1/4" (#713-00005)
- (2) Socket head 6-32 x 1/2" machine screws

### Additional Parts & Tools Required

- One of the following Sharp IR Distance Sensors
  - Sharp GP2Y0A21YK0F IR Distance Sensor 10-80 cm (#28995)
  - Sharp GP2Y0A02YK0F IR Distance Sensor 20-150 cm (#28997)
- Sharp IR Sensor to Servo Cable (#805-28995)
- 7/64" ball-end hex key (#725-00021)
- #1 Philips-head screwdriver

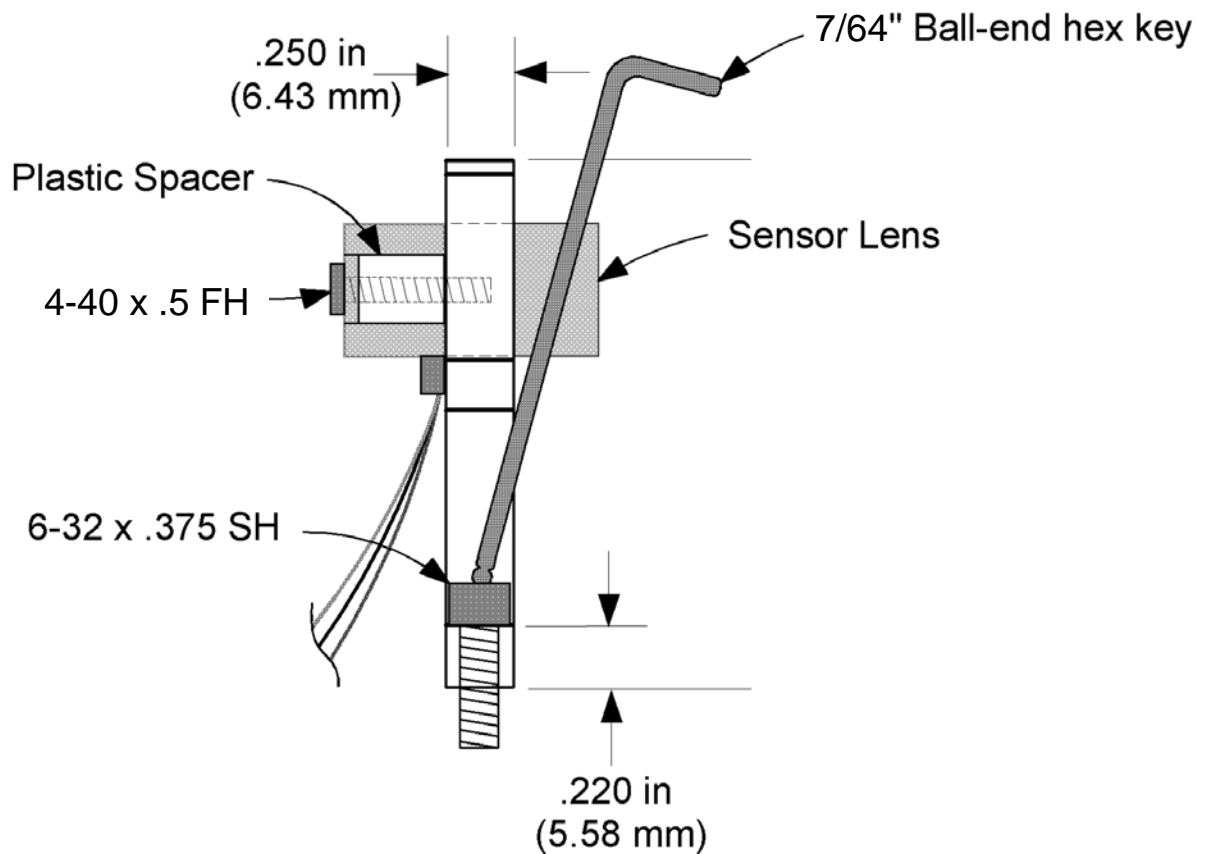
## Assembly Instructions

**Step 1:** Plug cable into the sensor. Looking at the back (solder-side) of the sensor's PCB, the red wire should be on the left. The cable is polarized, and will only go in one way.

**Step 2:** Insert the sensor into the rectangular hole and place two ¼" tall plastic standoffs between the stand and the sensor tabs.

**Step 3:** Secure with (2) 4-40 x 1/2" flat-head screws (provided).

**Step 4:** Mount the sensor to your project with the two 6-32 x ½" socket-head screws (provided in the kit), using a ball-end 7/64" hex key – Parallax #725-00021 (not included).



## Dimensional Drawing

