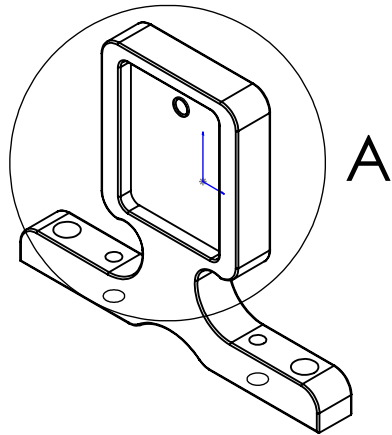
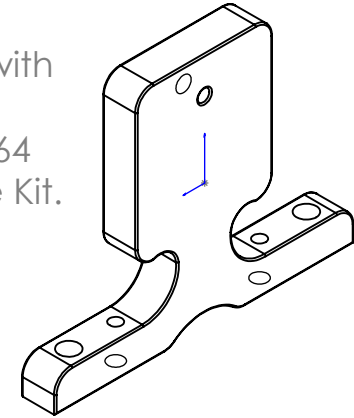


Material: 6061 Aluminum

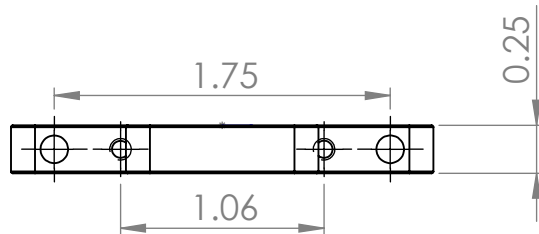
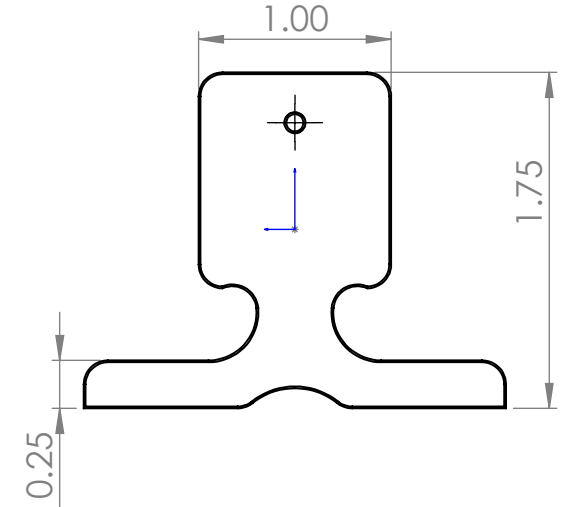
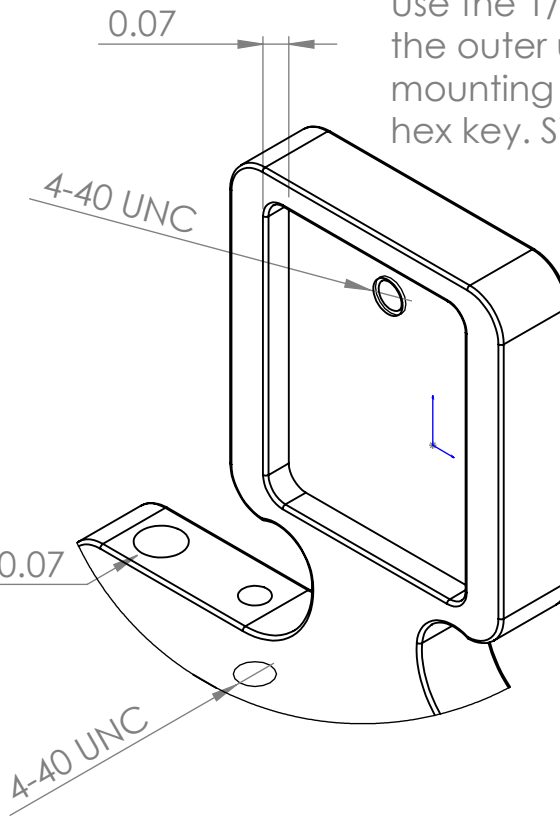
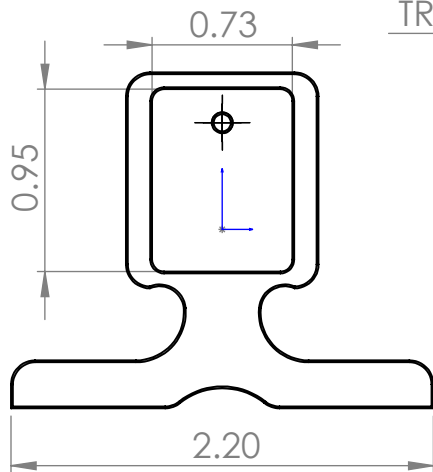
Secure LaserPING sensor in stand recess with the 3/16" #4-40 screw.



Use the 1/2" #6-32 screws with the outer unthreaded mounting holes, using a 7/64 hex key. Sized for Arlo Base Kit.



Use the 1/4" #4-40 screws with inner threaded holes, spaced for servo horns.



DETAIL A
SCALE 2 : 1

PROPRIETARY INFORMATION
THE INFORMATION CONTAINED IN THIS DRAWING IS THE SOLE PROPERTY OF PARALLAX, INC. ANY REPRODUCTION IN PART OR IN WHOLE WITHOUT THE WRITTEN PERMISSION OF PARALLAX INC. IS PROHIBITED.

UNLESS OTHERWISE SPECIFIED
DIMENSIONS ARE IN INCHES (mm)
LENGTH TOLERANCES:
X.XX ±0.010 IN
X.XXX ±0.005 IN
ANGLE TOLERANCES:
X ±5°
X.X ±1°

PARALLAX INC.™
599 MENLO DRIVE
ROCKLIN, CA 95765
www.PARALLAX.com
(916) 624-8333

Date 4-13-2018

Part # 720-28041 Rev A-1

Parent Part # 725-28041

Title
Laser PING Sensor Stand

Sheet 1

Drawn by K Glass

SCALE 1:1

Size: A