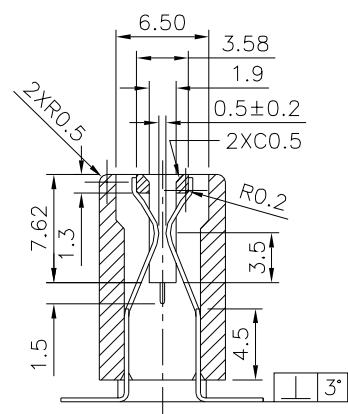
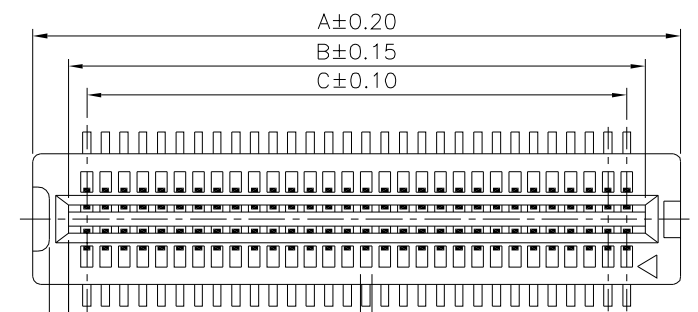
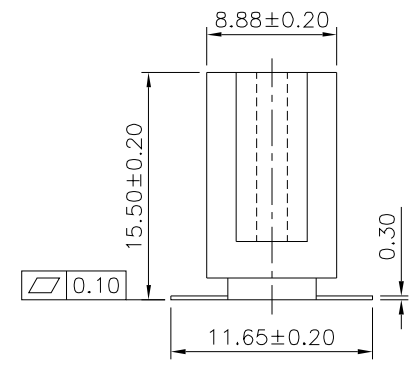
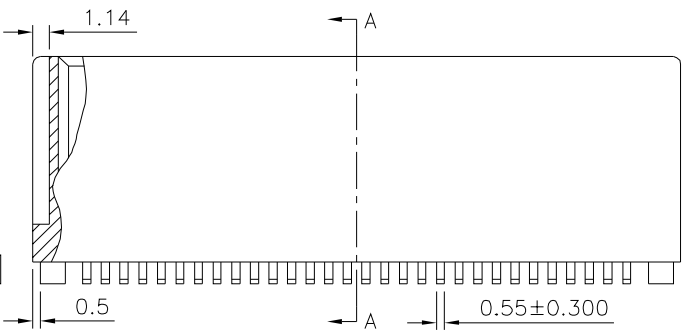


Recommended P.C.B. Layout(Top View)  
P.C.B. Thickness:1.2mm~1.6mm



Section:A-A



**SPECIFICATION**  
 Current Rating:1 Amp  
 Voltage Rating:250V AC RMS  
 Dielectric Withstanding Voltage:500V AC RMS 60Hz  
 For 1 Minute  
 Contact Resistance:30 Milliohms Max.  
 Insulation Resistance:1000 Megaohms Min.  
 At 500V DC  
 Retention Force:460 Grams Min. Per Contact  
 Insertion Force:230 Grams Max. Per Contact Pair  
 Withdrawal Force:15 Grams Min. Per Contact Pair  
 Temperature Range:-55°C~+85°C  
 Insulator:PPS(UL94V-0)  
 Contact:Brass

Contact Finish	
Gold Flash On Contact Area,	Tin Plated On Solder Tails,Over Nickel
Gold Plated 15u" On Contact Area,	Tin Plated On Solder Tails,Over Nickel

RoHS Compliant

Pin	A	B	C	Pin	A	B	C
04	8.64	3.81	1.27	38	30.23	25.40	22.86
06	9.91	5.08	2.54	40	31.50	26.67	24.13
08	11.18	6.35	3.81	42	32.77	27.94	25.40
10	12.45	7.62	5.08	44	34.04	29.21	26.67
12	13.72	8.89	6.35	46	35.31	30.48	27.94
14	14.99	10.16	7.62	48	36.58	31.75	29.21
16	16.26	11.43	8.89	50	37.85	33.02	30.48
18	17.53	12.70	10.16	52	39.12	34.29	31.75
20	18.80	13.97	11.43	54	40.39	35.56	33.02
22	20.07	15.24	12.70	56	41.66	36.83	34.29
24	21.34	16.51	13.97	58	42.93	38.10	35.56
26	22.61	17.78	15.24	60	44.20	39.37	36.83
28	23.88	19.05	16.51	62	45.47	40.64	38.10
30	25.15	20.32	17.78	80	56.90	52.07	49.53
32	26.42	21.59	19.05	100	69.60	64.77	62.23
34	27.69	22.86	20.32	120	82.30	77.47	74.93
36	28.96	24.13	21.59				

**4UCON** 元化興業股份有限公司  
4UCON TECHNOLOGY INC.

DRAWING No.		APPROVED BY		UNLESS OTHERWISE SPECIFIED TOLERANCES ARE 0~10 ±0.2 10~30 ±0.3 30~100 ±0.4 100~300 ±0.5 300~ ±0.6 ANG. ±0.5°
20927		MEI		
		HZF		
		DRAWING BY		UNIT
		CYP		mm
SCALE	NONE	REV.	BO	

NO.	REV.	BO	NEW RELEASE	HZF	09/04/2019
			REVISIONS	CHK	DATE