

1

2

3

4

A

A

B

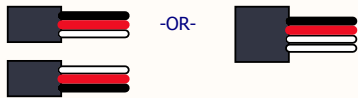
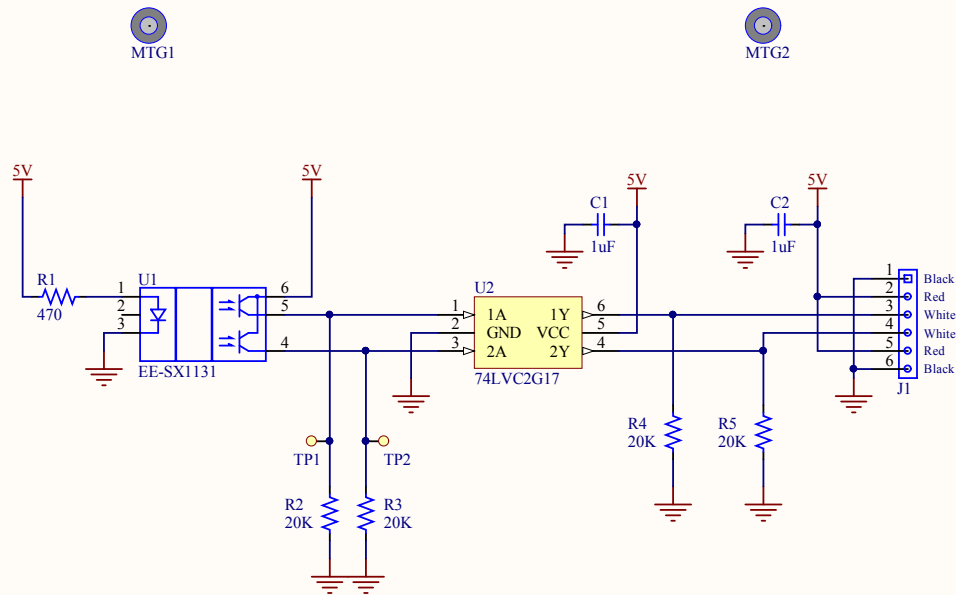
B

C

C

D

D



Connection Details:
 This pin configuration allows flexible connectivity options through the use of two 3-pin servo extension cables, or a single 4-pin cable.

| | | | | | |
|-------|--|--------------------|------------|---|----|
| Title | | QUADRATURE ENCODER | | PARALLAX 535 MENLO DR ROCKLIN CA 95765 U.S.A. | |
| Size: | A4 | Number: | | Revision: | A2 |
| Date: | 12/3/2014 | Time: | 8:53:24 AM | Sheet | of |
| File: | L:\Products\29321 - 36 Position Quad Encoder\Development\PCB\Rev A2\Quadrature Encoder_A2.SchDoc | | | | |



1

2

3

4