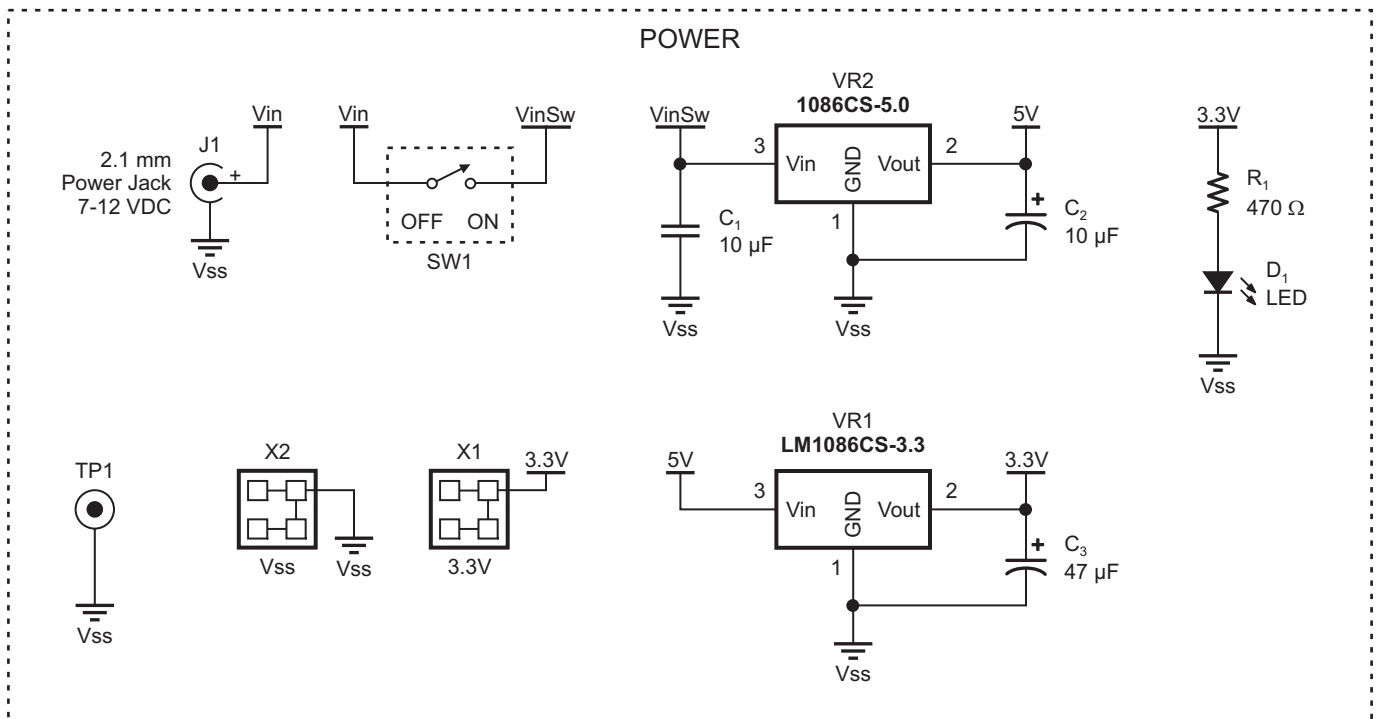


# Propeller Professional Development Board Schematic Rev. A

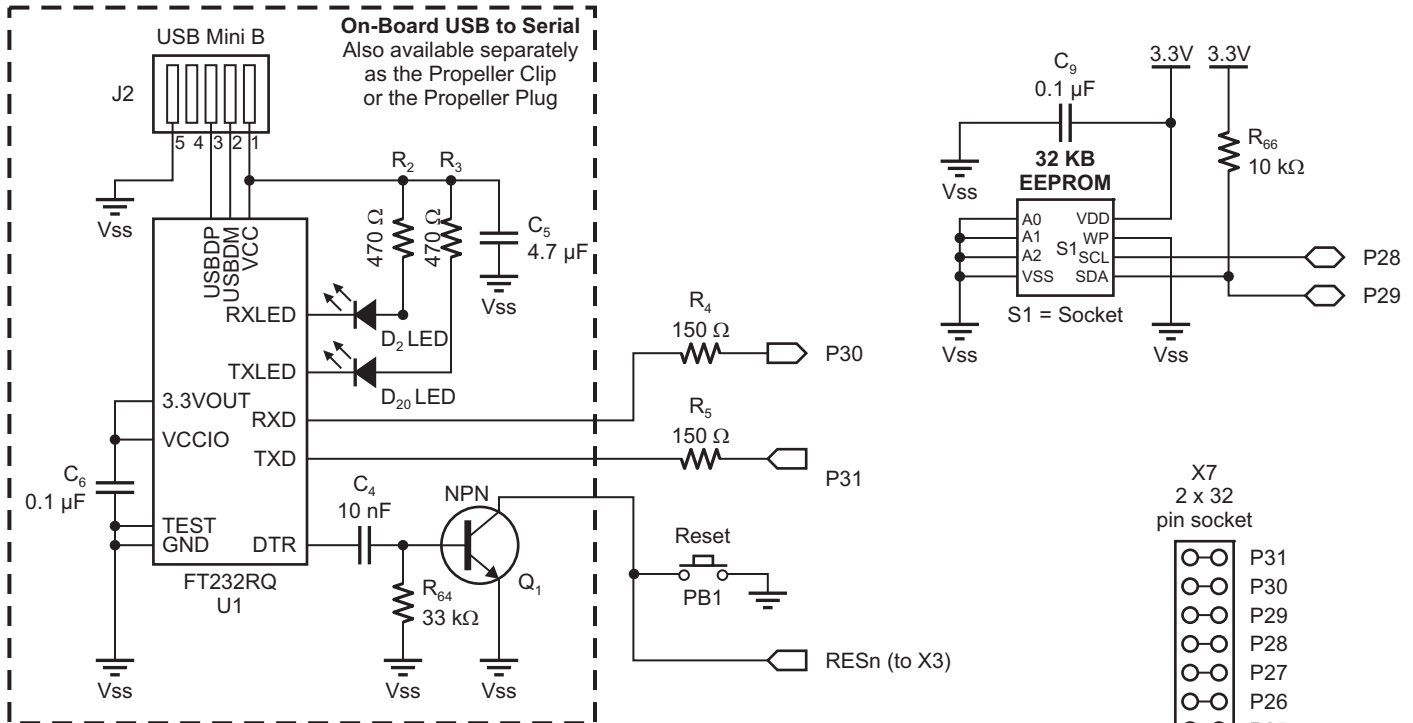
Updated March 2, 2009 © Parallax, Inc.



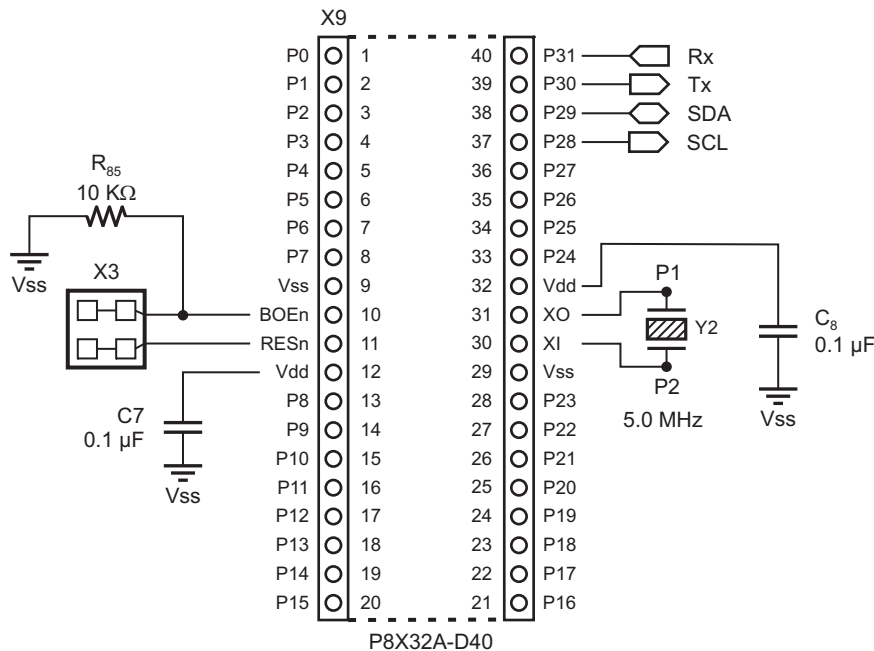
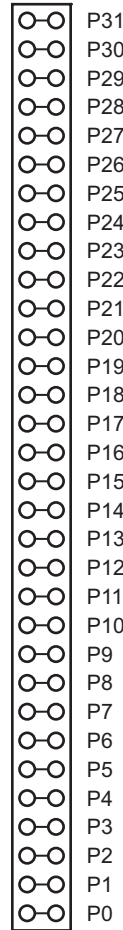
## Propeller Professional Development Board Schematic Rev. A

Updated March 2, 2009 © Parallax, Inc.

### PROPELLER CIRCUIT



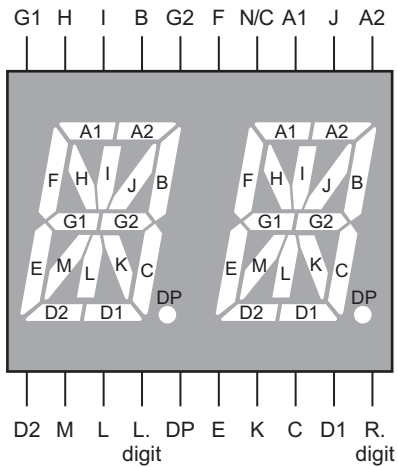
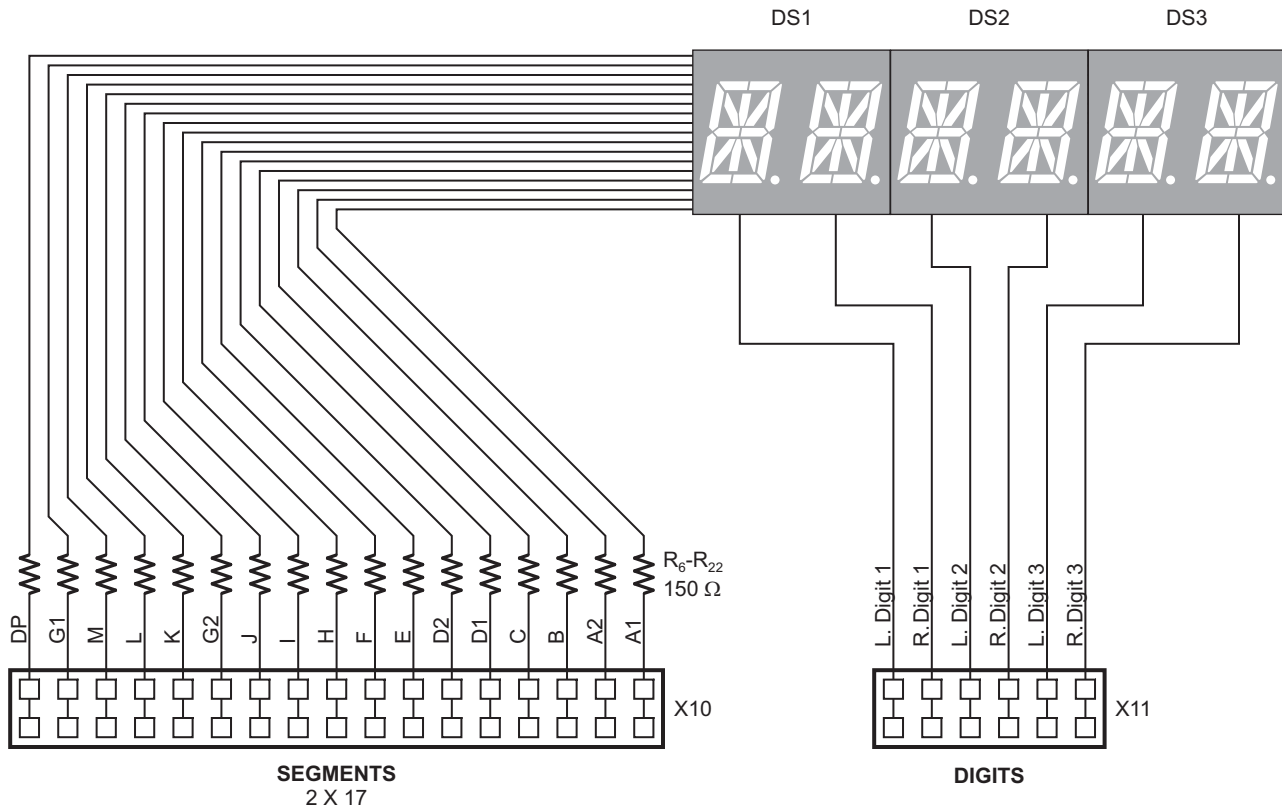
X7  
 2 x 32  
 pin socket



# Propeller Professional Development Board Schematic Rev. A

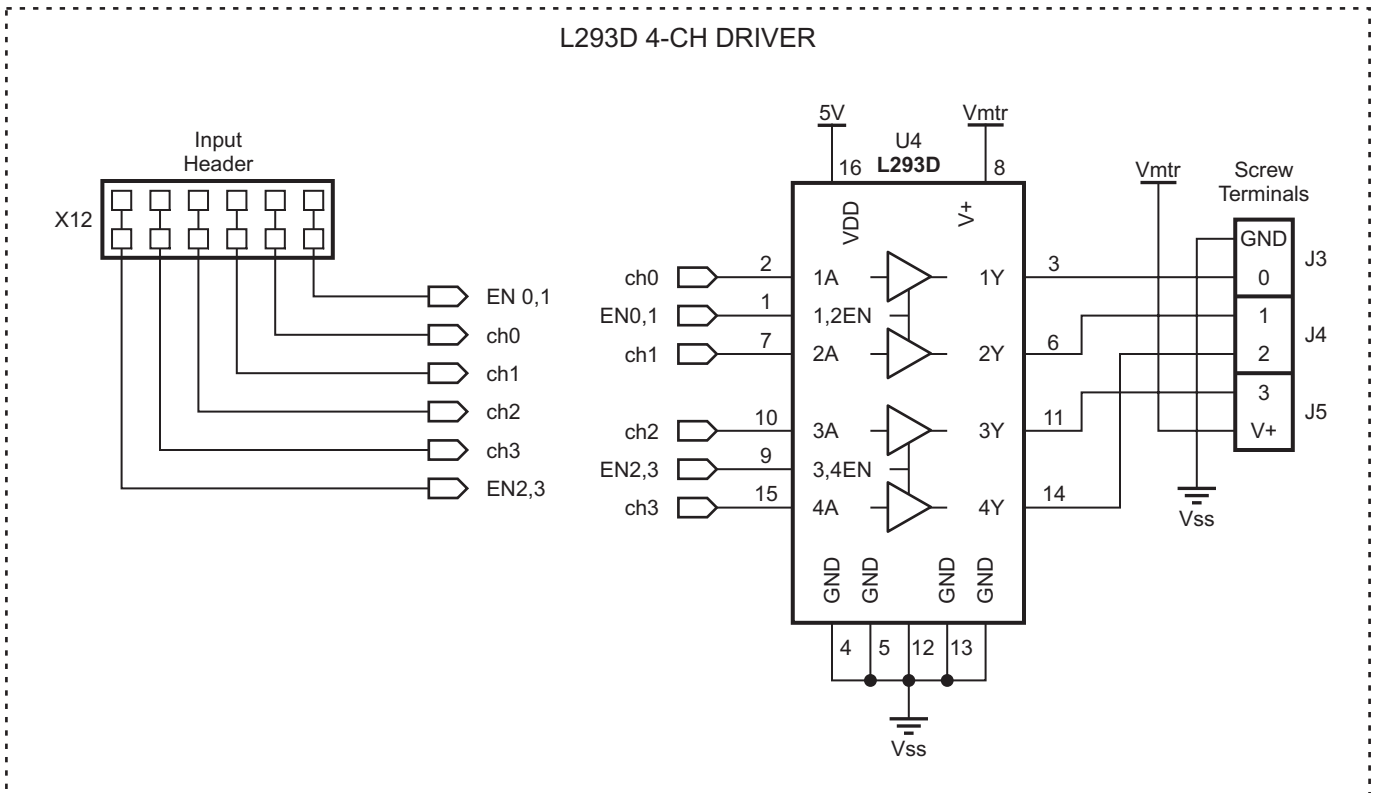
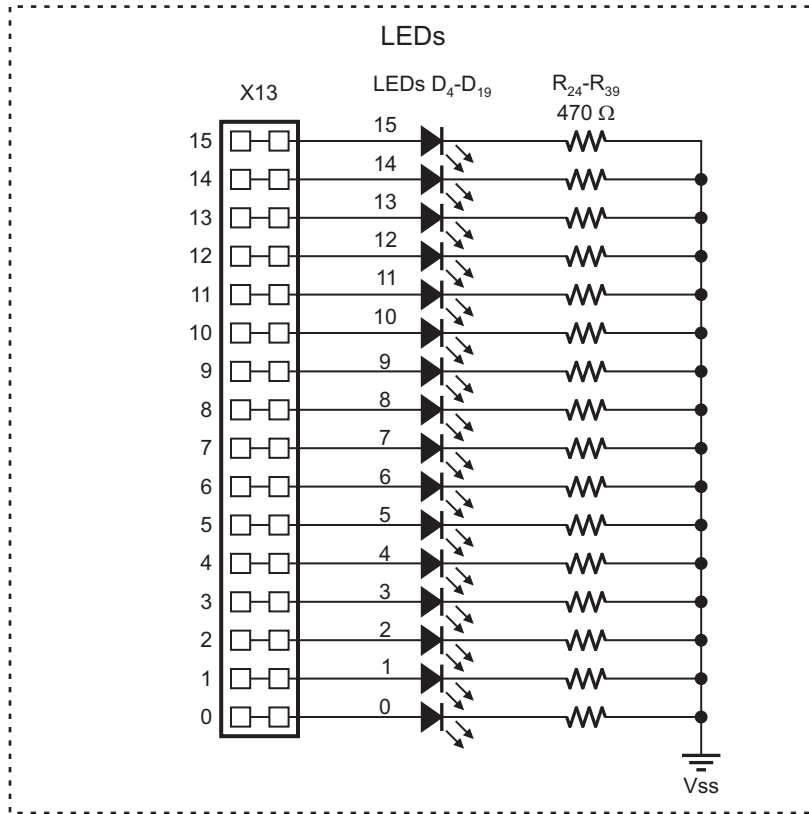
Updated March 2, 2009 © Parallax, Inc.

## SIXTEEN SEGMENT DISPLAYS



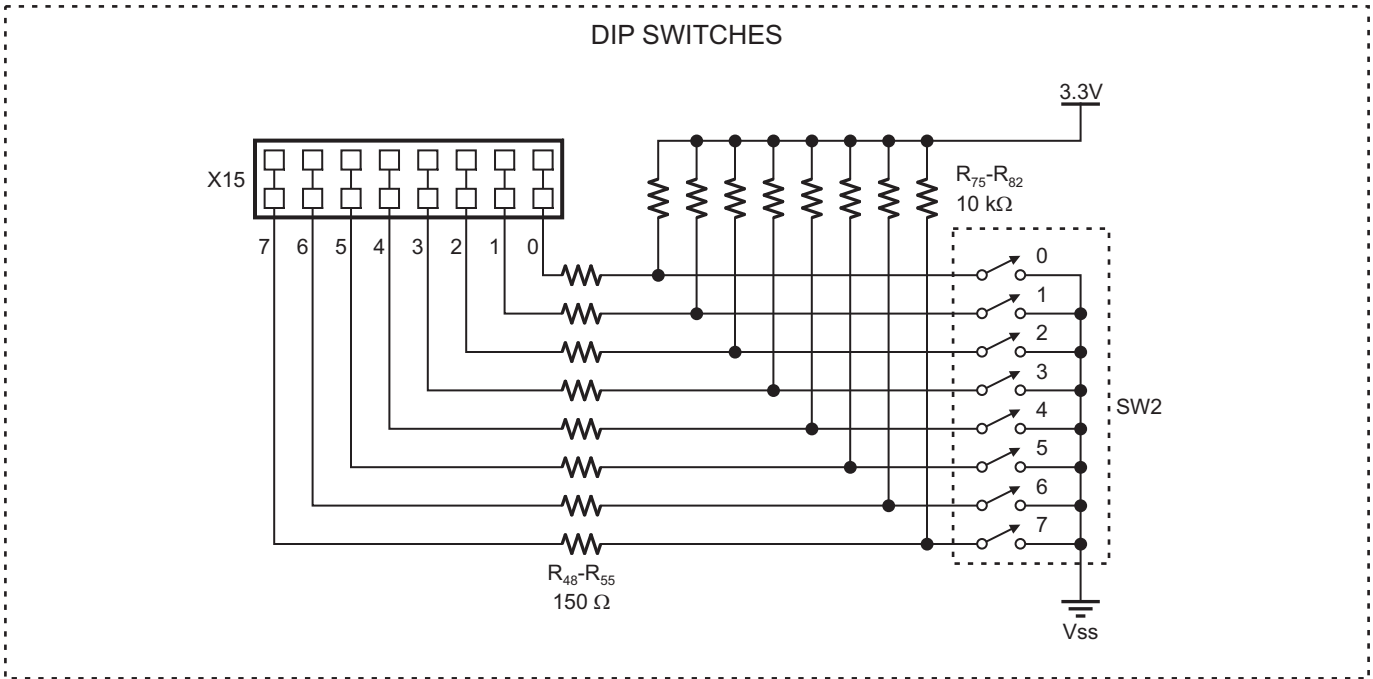
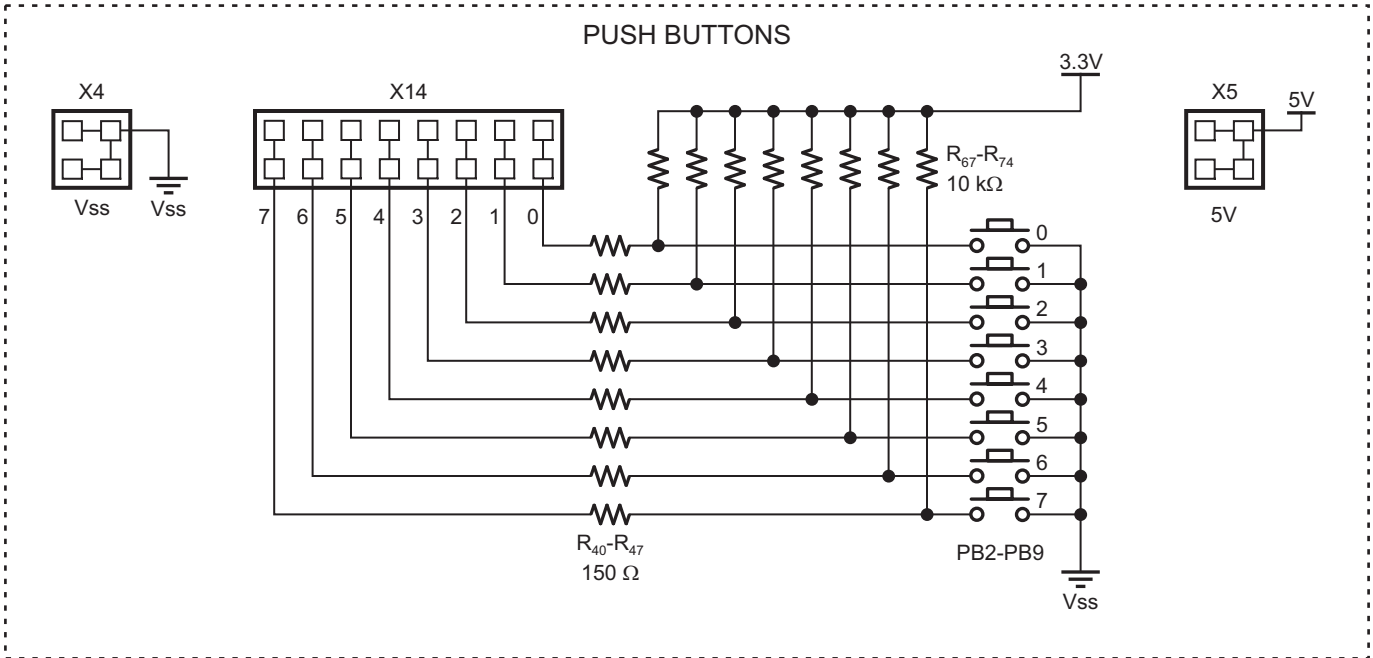
# Propeller Professional Development Board Schematic Rev. A

Updated March 2, 2009 © Parallax, Inc.



# Propeller Professional Development Board Schematic Rev. A

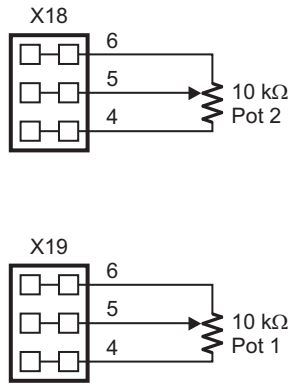
Updated March 2, 2009 © Parallax, Inc.



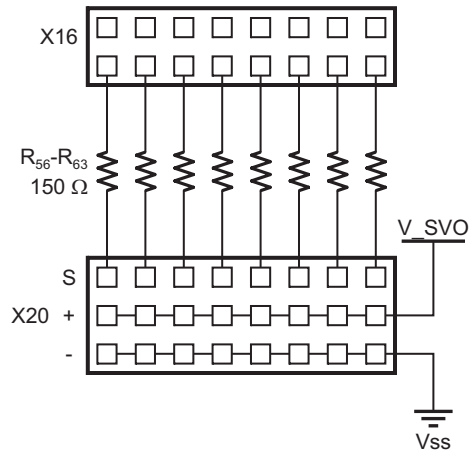
# Propeller Professional Development Board Schematic Rev. A

Updated March 2, 2009 © Parallax, Inc.

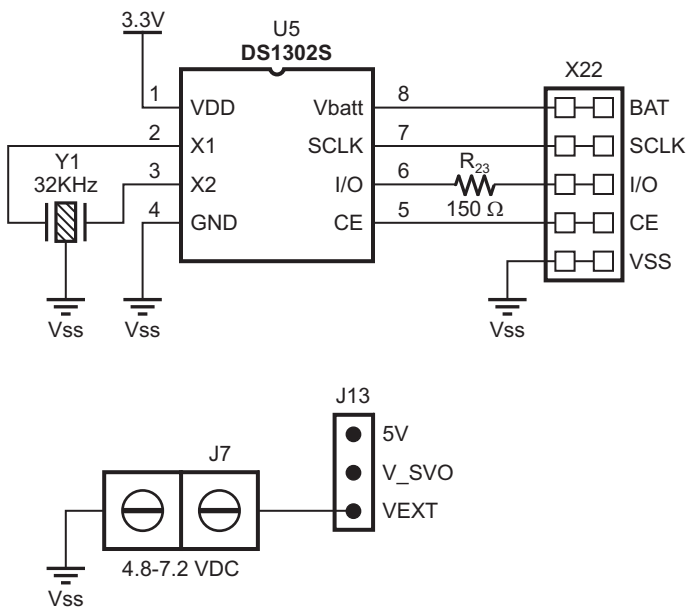
### 10K POTS



### SERVOS

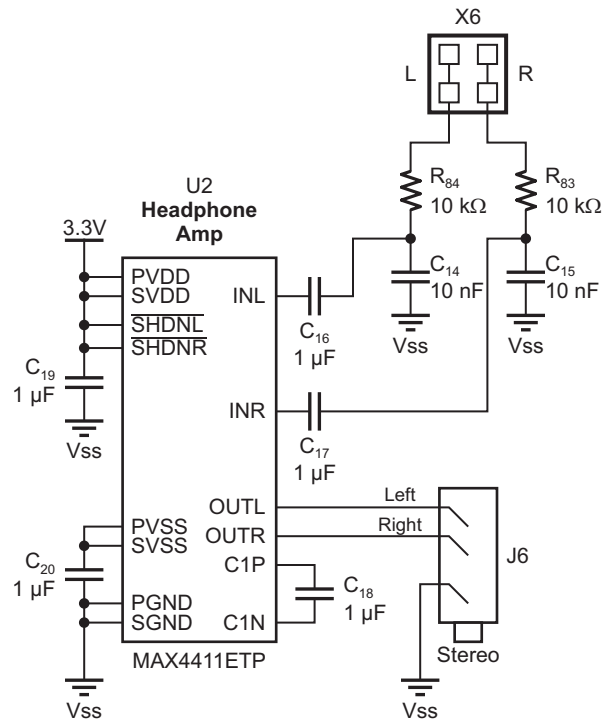


### REAL TIME CLOCK



(J7 = Screw Terminal)  
 (J13 = HDR 1x3 male)

### HEADPHONES



## Propeller Professional Development Board Schematic Rev. A

Updated March 2, 2009 © Parallax, Inc.

